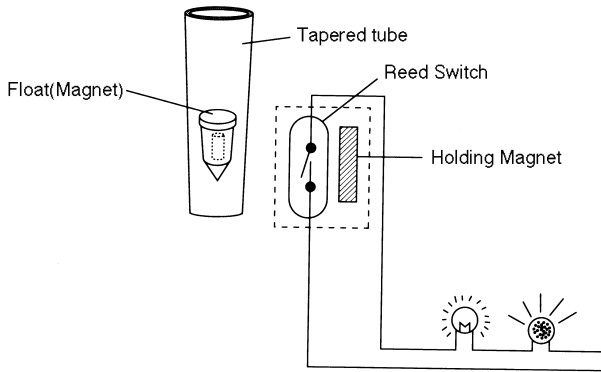


# REED SWITCH TYPE

● Purgemeter with alarm Code **A B C D**

A reed switch contact for flow alarm can be mounted on P series purgemeters. You can get the lower or upper limit flow alarm contact in addition to monitoring of the instantaneous flow rate by float position. This is effectively used for monitoring of flow interruption in various purging processes and for such control as inflow restrictions. (Note that some restrictions are placed on the flow range as well as the models that can be installed.) In addition to general reed type switches, reed switches compatible with CE (conforming to EN Standards) are also available to meet world-wide requirements.



Contion: Use non-magnetize material for mounting panel.

## STANDARD SPECIFICATION

### ● General type reed switch

Models where reed switch type alarm is available.

P-100,P-200,P-510,P-520,P-550,P-620,P-772,P-773,  
P-774,P-820,P-060

Number of point 1 point (High or Low)  
2 point alarm also available as option. But subject to limitation of scale range and setting point. Consult factory for details.

Alarm setting range Std. 20~80% of full scale (H: 50~80%, L: 20~50%)  
\*The setting flow rate of alarm front variable type is different from standard. consult factory for details.

Contact Reed switch (Self-holding type)  
Max. contact capacity AC10VA,DC10W  
Max. voltage AC125V,DC100V  
Max. current 0.5A

Connection Lead wire connection (50cm) (2m is also available)  
Models P-510 and P-520 are other optional codes. You can specify that the terminal is not necessary.

Model	Reset-Span(%F.S)
P-100,P-200,P-821	25
P-510,P-520,P-550, P-620,P-772,P-773, P-774,P-823,P-060	20

\*May be different depending on the scale length.

Construction Water proof

Amb. Temp. -10~60°C

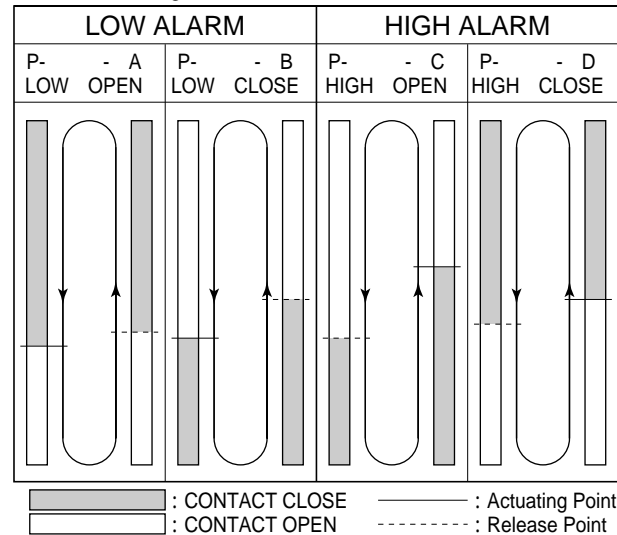
<Note>

A magnet is set in the float. In case of the short distance to mount reed switch, they interfere each other, and it may happen that the rate of flow can not be indicated accurately. Contact the factory if the distance to mount is less than 100mm.



P-510 Purgemeter equipped with the reed switch

### Contact Actuating



● Reed switch compatible with CE and EN Standards  
Reed Switch alarm accepted EN Standard is available which is suitable for applicable area.

EN standard  
EN 60950: 1992  
EN 61010: 1993

Contact Read switch contact  
Connection Lead wire ended (50cm) (2m is also available)  
Construction Water proof (IP 67 equ.)  
Amb. Temp. -10~60°C

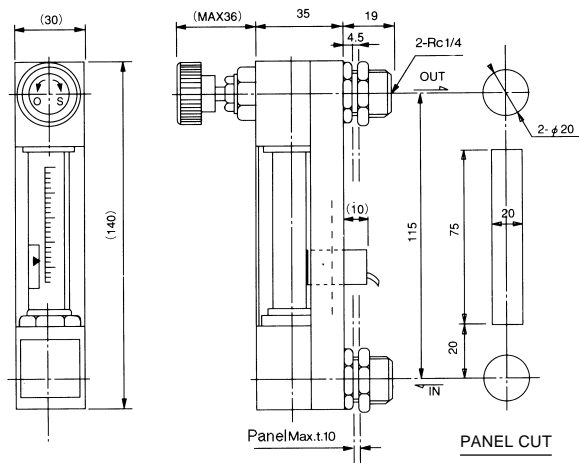
● Reed switch compatible with UL standards

UL standard UL508

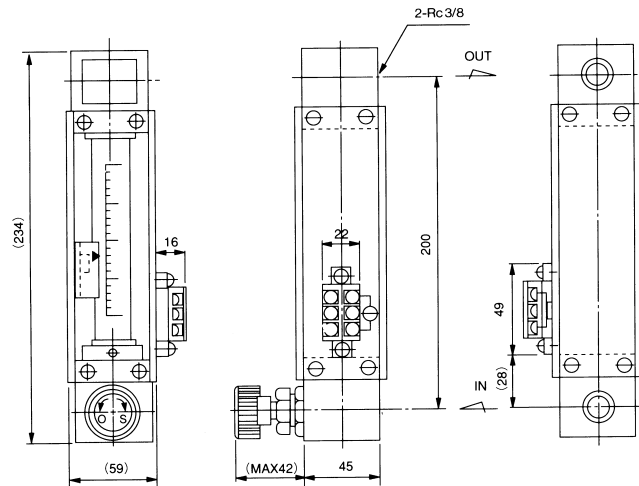
Contact Reed switch contact  
Max. Capacity 10W  
Max. Voltage DC24V  
Max. Current 0.5A  
Connection Lead wire(200cm sttached)  
Construction Water proof (IP 67 equ.)  
Amb. Temp 0~50°C

REED SWITCH TYPE  
STANDARD DIMENSIONS OF PURGEMETERS  
WITH REED SWITCH ALARM

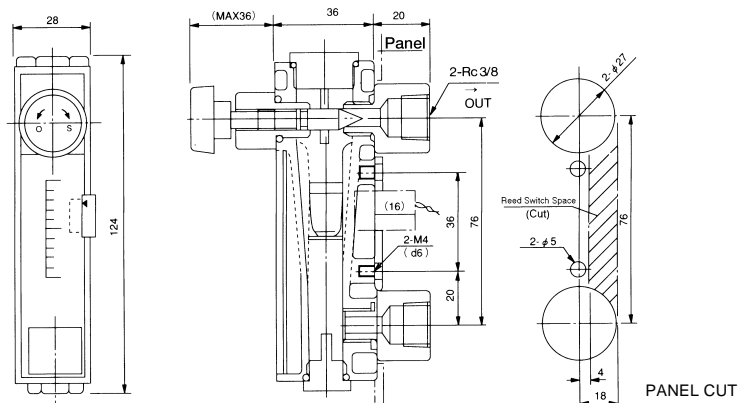
P-100-U□-4N-R2 model



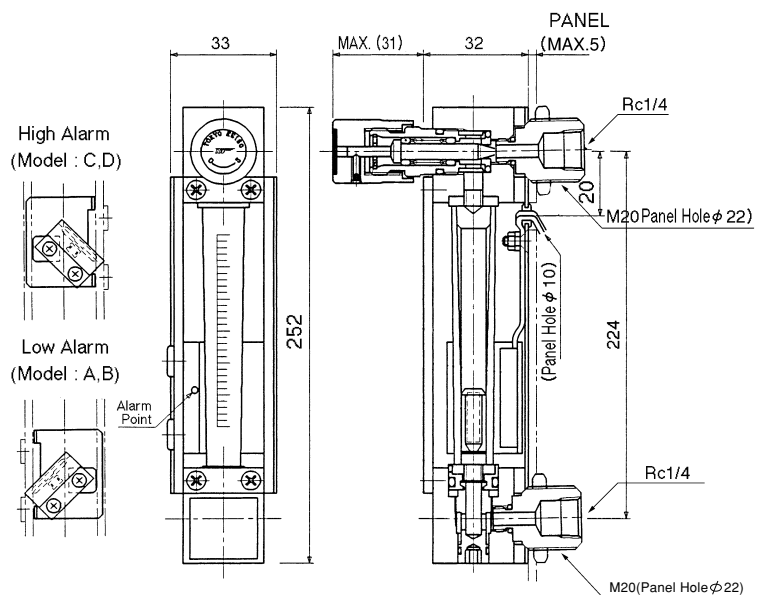
P-510-L□-4N-R3 model



P-620-U□-BN-R3 model



P-823-3□-6F-R2 model



For high alarm, the lead wire should be routed from the bottom.