

# P-830

## GENERAL

CE marking and compatibility with EN Standards.  
Improved by re-examination of conventional purgometer structure and material, our product ensures a heat resistance of 130°C.

## MAJOR APPLICATIONS

Cooling water lines at semiconductor production equipments

## STANDARD SPECIFICATION

Measuring object	Liquids	
Measuring range	Water	Min. 0.1~1.0 L/min. Max. 1.5~7 L/min.
Range ability	10:1	10:2 occasionally
Accuracy	±10% F.S.	
Max. Op. Press.	10kgf/cm <sup>2</sup> G(1.0MPa)	
Max. Op. Temp.	130°C	
Material	Std.	
	Body	SCS14/SUS304
	Tapered tube	Pyrex-glass
	Packing	Viton
	Support	Aluminum
	Cover	Acryl
Connection	Std.	3/8SW
	Opt.	Rc3/8,NPT3/8 etc.
	Refer to Basic model code for details.	
Mounting	Std.	Thread mount onto panel front
	Refer to ordering information for details.	
Weight (std. type)	0.5kg	



## ALARM AND ANALOG OUTPUT

Type	Availability	Reference pages
Reed switch type alarm unit	General	×
	CE, UL Version	○
PAU Optical alarm unit	×	49, 50 page
Optical alarm unit	×	
Analog output unit	×	

## STANDARD FLOW RATE TABLE

AIR(1atm,0°C)	In case alarm analog output code is 0		In case alarm analog output code is A to D	
	Water	Water	Water	Alarm setting range
/	0.1~1.0 L/min	0.1~1.0 L/min	0.1~0.8 L/min	
	0.4~1.5 L/min	0.4~1.5 L/min	0.4~1.2 L/min	
	0.2~2 L/min	0.2~2 L/min	0.6~1.6 L/min	
	0.3~3 L/min	0.3~3 L/min	0.6~2.4 L/min	
	0.4~4 L/min	0.4~4 L/min	0.8~3.2 L/min	
	0.5~5 L/min	0.5~5 L/min	1~5 L/min	
	1.5~7 L/min	1.5~7 L/min	1.5~7 L/min	

## BASIC MODEL CODE

SERIES NAME	VALVE	ALARM ANALOG OUTPUT	BODY MATERIAL	PACKING MATERIAL	CONNECTION TYPE	CONNECTION SIZE	EXAMPLE	DESCRIPTION
P-831	U	A	6	F	3	3		
	U	A	6	F	3	3/8		
						Z	Special	
					R	Rc thread		
					N	NPT thread		
					S	SW(Standard)		
					Z	Special		
					F	Viton		
					Z	Special		
			6			SCS14/SUS304		
		0					Not provided	
		A					Reed switch alarm (LO)	Refer to page 49, 50.
		B					Reed switch alarm (LC)	
		C					Reed switch alarm (HO)	
		D					Reed switch alarm (HC)	
		Z					Special	
		0					Not provided	
		U					Top	
		Z					Special	

## OTHER AVAILABLE OPTIONS

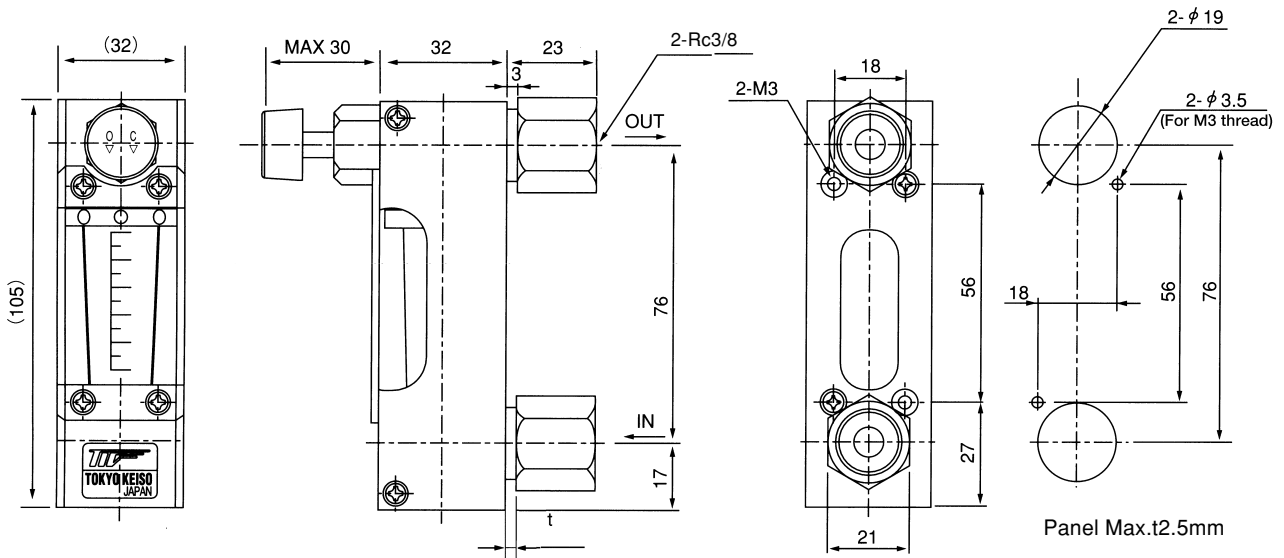
You can specify the following options:  
Two point alarm, Variable type on the front of alarm contact, reed switch lead wire length, double graduations, special graduation, built-in rubber joint type, built-in joint type, etc.  
(For details, refer to ⑥ Other Option on page 60).

## ORDERING INFORMATION

Basic model code	Designation items for detailed specifications					
P-831-□□-□□-□□	①	②	③	④	⑤	⑥
(Use model code table for selection)	Fluid name	Measuring range	Press.	Temp.	Mounting Option	Other Option
	(For specification procedure, refer to page 57)					

## DIMENSIONS

### ● P-831-U□-6F-R3 (Valve provided)

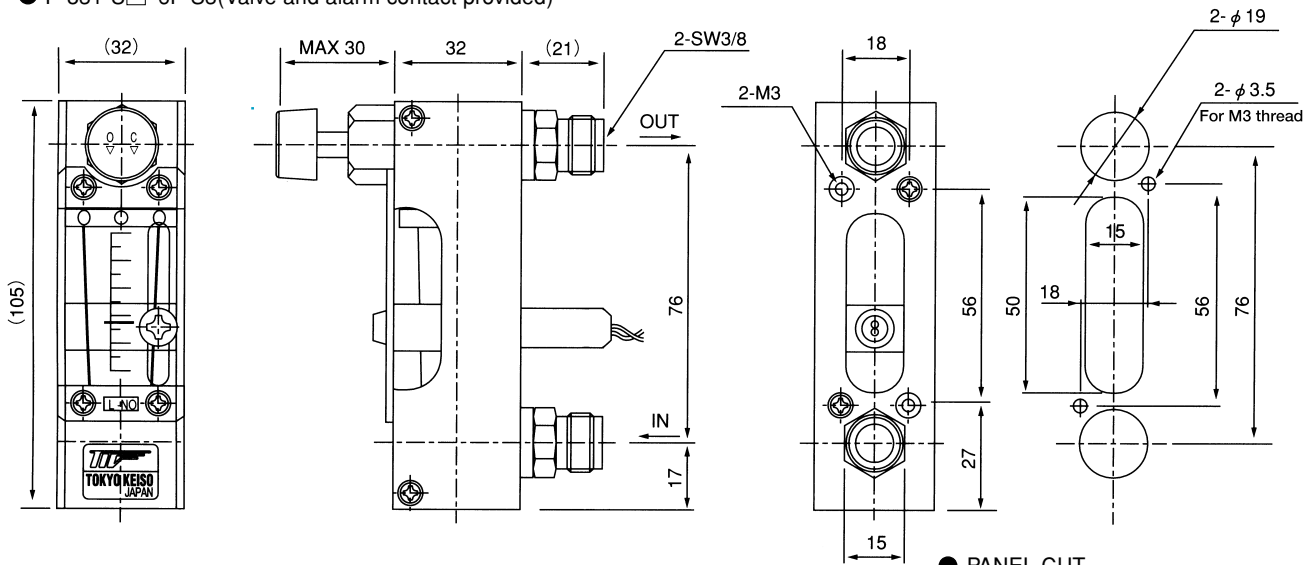


Panel: Max.t.2.5mm

PANEL CUT

Remove joint once before panel installation.

### ● P-831-U□-6F-S3(Valve and alarm contact provided)



● PANEL CUT

Use nonferrous material panel.

### ● Standard Material

Parts name	Standard material	Available material
<b>Body</b>	SCS14	—
<b>Tapered tube</b>	Pyrex glass	—
<b>Float</b>	SUS316	—
<b>Float rod</b>	SUS316	—
<b>O-ring</b>	Viton	—
<b>Valve</b>	SUS304	SUS316
<b>Fitting</b>	SUS304	SUS316
<b>Mounting board</b>	Aluminum	—
<b>Cover</b>	Transparent Acryl	—

Parts whose names are described in **bold letters** are in contact with fluids to be measured.

### ● In case alarm output code is A to D

A	Reed switch alarm (LO)	Refer to page 49, 50.
B	Reed switch alarm (LC)	
C	Reed switch alarm (HO)	
D	Reed switch alarm (HC)	