

P-774

GENERAL

P-774 model is a new asset to fully fluorine resin purgometer series of Tokyo Keiso Co.,Ltd., having 100mm installation dimension. Cleanliness is ensured by a PFA molded body integrally built with the fitting and the sealing section of welded structure.

MAJOR APPLICATIONS

Pure/Ultra pure water lines, chemical injection lines in semi-conductor production process.

STANDARD SPECIFICATION

Measuring object	Liquids		
Measuring range	Water Min. 0.1~1 L/min. Max. 0.7~7 L/min.	Select P-772 and P-773 for large flow type.	
Range ability	10:1		
Accuracy	±5%F.S.		
Max. Op. Press.	5kgf/cm ² G(0.5MPa)		
Max. Op. Temp.	60°C		
Material	Std.		
	Body	PFA	
	Tapered tube	PFA	Integrated mold
	Sealing	PTFE	Valve provided
	Support	PVC	
Cover	PVC		
Connection	Std.	φ10 Pillar fitting (Super fitting)	Refer to Basic model code for details.
	Opt.		
Mounting	Std.	Thread mount onto panel front	Refer to ordering information for details
	Opt.		
Weight (std. type)	0.5kg		



ALARM AND ANALOG OUTPUT

Type	Availability	Reference pages	
Reed switch type alarm unit	General	○	49,50 page
	CE, UL Version	○	49,50 page
PAU Optical alarm unit	○	51 page	
Optical alarm unit	○	52 page	
Analog output unit	○	53-56 page	

STANDARD FLOW RATE TABLE

AIR(1atm, 0°C)	In case alarm analog output code is 0 and E,F and G		In case alarm analog output code is A to D	
	Water	Water	Water	Alarm setting range
/	0.1~1 L/min	/	/	/
	0.2~2 L/min	/	/	/
	0.3~3 L/min	0.3~3 L/min	0.6~2.4 L/min	
	0.5~5 L/min	0.5~5 L/min	1.0~4.0 L/min	
	0.6~6 L/min	0.6~6 L/min	1.2~4.8 L/min	
	0.7~7 L/min	0.7~7 L/min	1.4~5.6 L/min	

May be different depending on the scale length.

OTHER AVAILABLE OPTIONS

You can specify the following options:

Two point alarm, Variable type on the front of alarm contact, reed switch lead wire length, double graduations, special graduation, built-in joint type, etc.

(For details, refer to ⑥ Other Option on page 60).

BASIC MODEL CODE

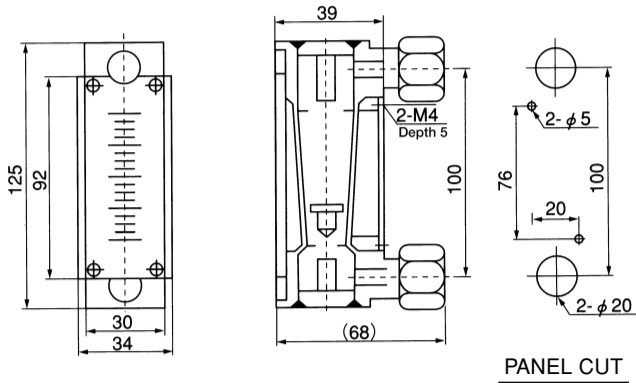
SERIES NAME	VALVE	ALARM ANALOG OUTPUT	BODY MATERIAL	PACKING MATERIAL	CONNECTION TYPE	EXAMPLE	DESCRIPTION
P-774	-U	0	-T	W	-d		
	VALVE	ALARM ANALOG OUTPUT	WETTED PARTS MATERIAL	PACKING MATERIAL	CONNECTION TYPE		
				P	P	Tube end fitting(Standard)	Pillar fitting
				Z	Z	Special	
				W	W	Not provided(Welded construction)(Standard)	
				Z	Z	Special	
			T	PFA(Standard)	T	PFA(Standard)	Temperd tube material is also PFA.
			Z	Special	Z	Special	
			0	Not provided	0	Not provided	
			A	Reed switch alarm (LO)	A	Reed switch alarm (LO)	Refer to page 49,50.
			B	Reed switch alarm (LC)	B	Reed switch alarm (LC)	
			C	Reed switch alarm (HO)	C	Reed switch alarm (HO)	
			D	Reed switch alarm (HC)	D	Reed switch alarm (HC)	
			E	PAU ALARM UNIT provided	E	PAU ALARM UNIT provided	Refer to page 51.
			F	E3C Separate type Optical alarm unit provided	F	E3C Separate type Optical alarm unit provided	Refer to page 52.
			G	PAS/IAU ANALOG OUTPUT UNIT	G	PAS/IAU ANALOG OUTPUT UNIT	Refer to page 53.
			Z	Special	Z	Special	
			0	Not provided	0	Not provided	
	U			Top	U	Top	Refer to valve position selection guide on page 61.
	Z			Special	Z	Special	

ORDERING INFORMATION

Basic model code	Designation items for detailed specifications					
P-774- □□-□□-□	①	②	③	④	⑤	⑥
(Use model code table for selection)	Fluid name	Measuring range	Press.	Temp.	Mounting Option	Other Option
	(For specification procedure, refer to page 57)					

DIMENSIONS

- P-774-00-TW-P, No valve and output provided version



PANEL CUT

Caution) Use non-magnetize material for panel when ALARM ANALOG OUTPUT code is A~D.

● Standard Material

Parts name	Standard material	Available material
Body, tapered tube	PFA integrated mold	—
Float	PTFE	—
Float stopper	PFA	—
Valve body	PCTFE	—
Valve needle	PCTFE	—
Graduation board	Transparent PVC	—
Support board	PVC	—

Parts whose names are described in **bold letters** are in contact with fluids to be measured.

● In case alarm output code is A to D

A	Reed switch alarm (LO)	Refer to page 49, 50.
B	Reed switch alarm (LC)	
C	Reed switch alarm (HO)	
D	Reed switch alarm (HC)	

● In case alarm output code is E to G

E	PAU ALARM UNIT provided	Refer to page 51.
F	E3C Separate type Optical alarm unit provided	Refer to page 52.
G	PAS/IAU ANALOG OUTPUT UNIT provided	Refer to page 53.