

# P-773

## GENERAL

P-773 is integrated PFA molded body purgometer. All sealing parts are fusing construction without mechanical sealing such as O rings for perfect sealing capability. Float rod is also eliminated to meet higher clean technology requirements. Compact design with 115mm C/C dimension for easy assembling onto various types of devices.

## MAJOR APPLICATIONS

Pure/Ultra pure water lines, chemical injection lines in semi-conductor production process.

## STANDARD SPECIFICATION

|                    |                                |   |
|--------------------|--------------------------------|---|
| Measuring object   | Liquids                        |   |
| Measuring range    | Water                          | Min. 0.1~1 L/min.<br>Max. 1~10 L/min.                         |
|                    |                                |   |
| Range ability      | 10:1                           |   |
| Accuracy           | ±5% F.S.                       |   |
| Max. Op. Press.    | 5kgf/cm <sup>2</sup> G(0.5MPa) |   |
| Max. Op. Temp.     | 60°C                           |   |
| Material           | Std.                           | Option<br>(Specify by model code)                             |
|                    | Body                           | PFA   |
|                    | Tapered tube                   | PFA   |
|                    | Packing                        | PTFE  |
|                    | Support                        | PVC   |
|                    | Cover                          | Transparent PVC   |
| Connection         | Std.                           | Tube end connection 3/8~<br>(Refer to model code for details) |
|                    | Other                          | Rc1/4, 3/8, NPT1/4, 3/8 etc.                                  |
| Mounting           | Std.                           | Thread mount onto panel front                                 |
|                    |                                | Refer to ordering information for details                     |
| Weight (std. type) | 0.6kg                          |   |

## ALARM AND ANALOG OUTPUT

| Type                        | Availability   | Reference pages |
|-----------------------------|----------------|-----------------|
| Reed switch type alarm unit | General        | ○ 49,50 page    |
|                             | CE, UL Version | ○ 49,50 page    |
| PAU Optical alarm unit      | ○              | 51 page         |
| Optical alarm unit          | ○              | 52 page         |
| Analog output unit          | ○              | 53~56 page      |

## STANDARD FLOW RATE TABLE

(In case Op. Press at gas is not 1atm, refer to page 1.)

| AIR (1atm, 0°C) | In case alarm analog output code is 0 and E, F and G |               | In case alarm analog output code is A to D |                     |
|-----------------|--|---------------|--|---------------------|
|                 | Water  | Water         | Water                                      | Alarm setting range |
|                 | 0.1 ~ 1 L/min  | 0.2 ~ 2 L/min | 0.4 ~ 1.6 L/min                            |                     |
|                 | 0.2 ~ 2 L/min  | 0.3 ~ 3 L/min | 1 ~ 2.4 L/min                              |                     |
|                 | 0.3 ~ 3 L/min  | 0.5 ~ 5 L/min | 1 ~ 4 L/min                                |                     |
|                 | 0.5 ~ 5 L/min  | 1 ~ 10 L/min  | 2 ~ 8 L/min                                |                     |

May be different depending on the scale length.

## OTHER AVAILABLE OPTIONS

You can specify the following options:  
Two point alarm, reed switch lead wire length, double graduations, special graduation, built-in joint type, etc.  
(For details, refer to ⑥ [Other Option] on page 60).



## BASIC MODEL CODE

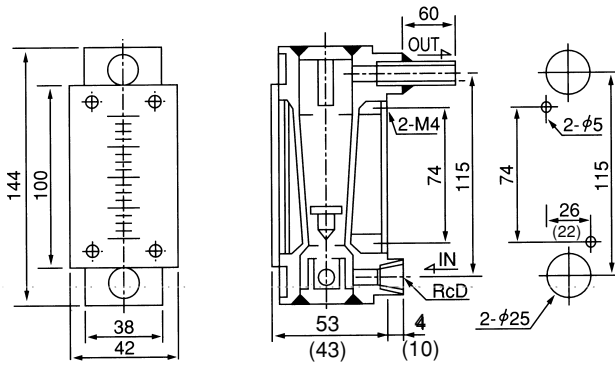
| SERIES NAME | VALVE | ALARM/ANALOG OUTPUT | FLOW RANGE | CONNECTION TYPE                               | EXAMPLE  |                                |
|-------------|-------|---------------------|------------|---|--|--------------------------------|
|             |       |                     |            |   | DESCRIPTION  |                                |
| P-773       | -U    | 0                   | A          | 5   |  |                                |
|             | VALVE | ALARM ANALOG OUTPUT | FLOW RANGE | CONNECTION TYPE                               |  |                                |
|             |       |                     |            |   | 1  | Rc1/4                          |
|             |       |                     |            |   | 2  | Rc3/8                          |
|             |       |                     |            |   | 3  | NPT1/4                         |
|             |       |                     |            |   | 4  | NPT3/8                         |
|             |       |                     |            |   | 5  | Tube end fitting(3/8" × t1.59) |
|             |       |                     |            |   | 6  | Tube end fitting(1/2" × t1.59) |
|             |       |                     |            |   | 7  | Tube end fitting(φ8 × t1.0)    |
|             |       |                     |            |   | 8  | Tube end fitting(φ10 × t1.0)   |
|             |       |                     |            |   | 9  | Tube end fitting(φ12 × t1.0)   |
|             |       |                     |            |   | Z  | Special                        |
|             |       |                     | A          | 0.1~1 L/min                                   | In case alarm analog output is 0, selection is possible. |                                |
|             |       |                     | B          | 0.2~2 L/min                                   | In case alarm analog output is 0, selection is possible. |                                |
|             |       |                     | 1          | 0.3~3 L/min                                   |  |                                |
|             |       |                     | 2          | 0.5~5 L/min                                   |  |                                |
|             |       |                     | 3          | 1~10 L/min                                    |  |                                |
|             |       |                     | Z          | Other special                                 |  |                                |
|             |       |                     | 0          | Not provided                                  |  |                                |
|             |       |                     | A          | Reed switch alarm (LO)                        |  |                                |
|             |       |                     | B          | Reed switch alarm (LC)                        |  |                                |
|             |       |                     | C          | Reed switch alarm (HO)                        |  |                                |
|             |       |                     | D          | Reed switch alarm (HC)                        |  |                                |
|             |       |                     | E          | PAU ALARM UNIT provided                       |  |                                |
|             |       |                     | F          | E3C Separate type Optical alarm unit provided |  |                                |
|             |       |                     | G          | PAS/IAU ANALOG OUTPUT UNIT                    |  |                                |
|             |       |                     | Z          | Special                                       |  |                                |
|             |       |                     | 0          | Not provided                                  |  |                                |
|             |       |                     | U          | Top   |  |                                |
|             |       |                     | Z          | Special                                       |  |                                |
|             |       |                     |            |   | Refer to page 49,50.                                     |                                |
|             |       |                     |            |   | Refer to page 51.  |                                |
|             |       |                     |            |   | Refer to page 52.  |                                |
|             |       |                     |            |   | Refer to page 53.  |                                |
|             |       |                     |            |   | Refer to valve position selection guide on page 61.      |                                |

## ORDERING INFORMATION

| Basic model code                     | Designation items for detailed specifications   |                 |        |       |                 |              |
|--------------------------------------|---|-----------------|--------|-------|-----------------|--------------|
| P-773- □-□□□                         | ①   | ②               | ③      | ④     | ⑤               | ⑥            |
|                                      | Fluid name                                      | Measuring range | Press. | Temp. | Mounting Option | Other Option |
| (Use model code table for selection) | (For specification procedure, refer to page 57) |                 |        |       |                 |              |

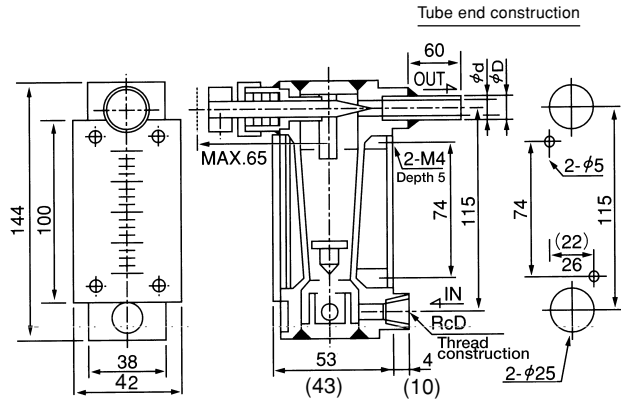
## DIMENSIONS

● P-773-0-□□□□, Valve not provided



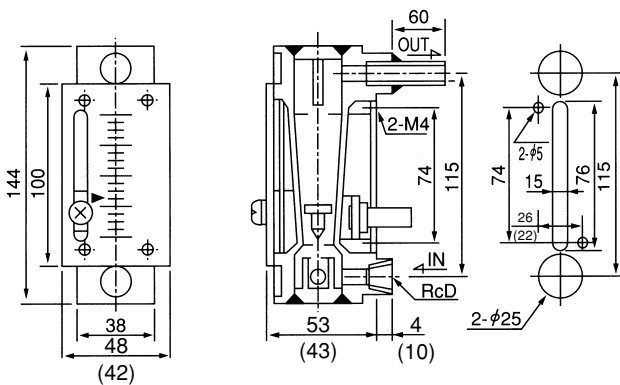
( ) for 3L/min. or less.

● P-773-U-□□□□, Valve provided



( ) for 3L/min. or less.

● P-773-0-□□□□, EN version alarm contact provided



( ) for 3L/min. or less.

### Standard Material

| Parts name                | Standard material   | Available material |
|---------------------------|---------------------|--------------------|
| <b>Body, tapered tube</b> | PFA integrated mold | -                  |
| <b>Float</b>              | PTFE                | -                  |
| <b>Float stopper</b>      | PFA                 | -                  |
| <b>Valve body</b>         | PCTFE               | -                  |
| <b>Valve needle</b>       | PCTFE               | -                  |
| Graduation board          | Transparent PVC     | -                  |
| Support board             | PVC                 | -                  |
| Cover                     | Transparent PVC     | -                  |

Parts whose names are described in **bold letters** are in contact with fluids to be measured.

Caution) Use non-magnetize material for panel when ALARM ANALOG OUTPUT code is A-D.

### In case alarm output code is A to D

|   |                        |                       |
|---|------------------------|-----------------------|
| A | Reed switch alarm (LO) | Refer to page 49, 50. |
| B | Reed switch alarm (LC) |                       |
| C | Reed switch alarm (HO) |                       |
| D | Reed switch alarm (HC) |                       |

### In case alarm output code is E to G

|   |   |                   |
|---|---|-------------------|
| E | PAU ALARM UNIT provided                       | Refer to page 51. |
| F | E3C Separate type Optical alarm unit provided | Refer to page 52. |
| G | PAS/IAU ANALOG OUTPUT UNIT provided           | Refer to page 53. |