

P-772

● Old model P-770-2

■ GENERAL

Ultra-clean purgemeter made of all fluorine resin. A extra-clean structure is ensured by a fitting directly coupled with tube, similarly to P-771. It is designed in an integral main unit/tapered tube structure, with valve and cap configured in a welded structure. This product provides excellent sealing properties. Compatible with pure water, extra-pure water and chemical solutions to a maximum flow rate of 45L/min.

■ MAJOR APPLICATIONS

Pure/Ultra pure water lines, chemical injection lines in semi-conductor production process.

■ STANDARD SPECIFICATION

Measuring object	Liquids	
Measuring range	Water	Min. 0.06~0.6 L/min. Max. 4.5~45 L/min.
Range ability	10:1	
Accuracy	± 5%F.S.	
Max. Op. Press.	5kgf/cm ² G(0.5MPa)	
Max. Op. Temp.	Std.	60°C
	Option	High.Temp. version up to 90°C available as option. Consult factory.
Material	Std.	Option (Specify by model code)
	Body	PFA
	Tapered tube	PFA
	Packing	PTFE
	Support	PVC
Cover	Transparent PVC	
Connection	Std.	Tube end connection/OD: 19mm, ID: 15.8mm
	Opt.	Rc1/2, 3/4, NPT 1/2, 3/4 etc.
Mounting	Std.	Thread mount onto panel front
	Opt.	Panel-rear installation
Weight (std. type)	0.8kg	



■ BASIC MODEL CODE

SERIES NAME	VALVE	ALARM ANALOG OUTPUT	BODY MATERIAL	CONNECTION TYPE	CONNECTION SIZE	EXAMPLE
P-772	U	0	T	H	D	DESCRIPTION
	U	0	T	H	D	
	U	0	T	H	D	φ19 × 1.6t(Standard)
	U	0	T	H	4	1/2
	U	0	T	H	5	3/4
	U	0	T	H	Z	Special φ10/8, 12/10, 12.7/9.5, 19/16, 25/22, 25.4/22.2
	U	0	T	H	T	Tube end fitting (Standard)
	U	0	T	H	R	Rc thread
	U	0	T	H	N	NPT thread
	U	0	T	H	Z	Special
	U	0	T	H	T	PFA(Standard)
	U	0	T	H	Z	Special
	U	0	T	H	0	Not provided
	U	0	T	H	A	Reed switch alarm (LO)
	U	0	T	H	B	Reed switch alarm (LC)
	U	0	T	H	C	Reed switch alarm (HO)
	U	0	T	H	D	Reed switch alarm (HC)
	U	0	T	H	E	PAU ALARM UNIT provided
	U	0	T	H	F	E3C Separate type Optical alarm unit provided
	U	0	T	H	G	PAS/IAU ANALOG OUTPUT UNIT
	U	0	T	H	Z	Special
	U	0	T	H	0	Not provided
	U	0	T	H	U	Top
	U	0	T	H	Z	Special

Tapered tube material is also PFA.

Refer to page 49,50.

Refer to page 51.

Refer to page 52.

Refer to page 53.

Refer to valve position selection guide in page 61.

■ ALARM AND ANALOG OUTPUT

Type	Availability	Reference pages
Reed switch type alarm unit	General	○
	CE, UL Version	×
PAU Optical alarm unit	○	51 page
Optical alarm unit	○	52 page
Analog output unit	○	53~56 page

■ STANDARD FLOW RATE TABLE

In case alarm analog output code is 0 and E, F and G		In case alarm analog output code is A to D	
AIR(1atm, 0°C)	Water	Water	Alarm setting range
	0.06~0.6 L/min		
	0.1~1 L/min		
	0.2~2 L/min		
	0.3~3 L/min	0.3~3 L/min	0.6~2.4 L/min
	0.5~5 L/min	0.5~5 L/min	1~4 L/min
	0.6~6 L/min	0.6~6 L/min	1.2~4.8 L/min
	1~10 L/min	1~10 L/min	2~8 L/min
	1.5~15 L/min	1.5~15 L/min	3~12 L/min
	2~20 L/min	2~20 L/min	4~16 L/min
	3~30 L/min	3~30 L/min	6~24 L/min
	4~40 L/min	4~40 L/min	8~32 L/min
	4.5~45 L/min	4~40 L/min	8~32 L/min

May be different depending on the scale length.

■ OTHER AVAILABLE OPTIONS

You can specify the following options:

Two point alarm, Variable type on the front of alarm contact, reed switch lead wire length, double graduations, special graduation, built-in joint type, etc.

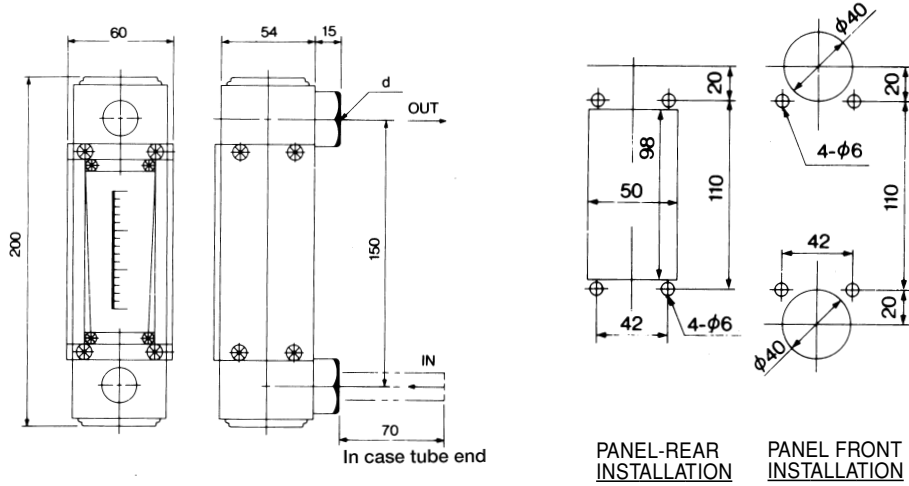
(For details, refer to ⑥ Other Option on page 60).

■ ORDERING INFORMATION

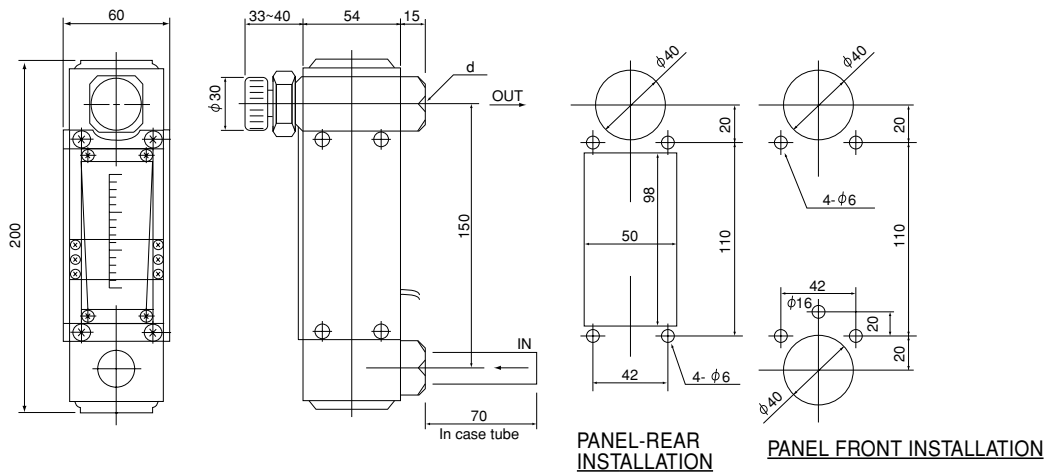
Basic model code	Designation items for detailed specifications					
P-772-□□-□-□□	①	②	③	④	⑤	⑥
(Use model code table for selection)	Fluid name	Measuring range	Press.	Temp.	Mounting Option	Other Option
	(For specification procedure, refer to page 57)					

DIMENSIONS

- P-772-00-T-□□, Valve not provided, Panel front screw fixing



- P-772-UA-T-□□



Caution) Use non-magnetize material for panel when ALARM ANALOG OUTPUT code is A-D.

● Standard Material

Parts name	Standard material	Available material
Body, tapered tube	PFA integrated mold	—
Float	PTFE	—
Float stopper	PFA	—
Valve body	PCTFE	—
Valve needle	PCTFE	—
Graduation board	Transparent PVC	—
Support board	PVC	—
Cover	Transparent PVC	—

Parts whose names are described in **bold letters** are in contact with fluids to be measured.

● In case alarm output code is A to D

A	Reed switch alarm (LO)	Refer to page 49, 50.
B	Reed switch alarm (LC)	
C	Reed switch alarm (HC)	
D	Reed switch alarm (HC)	

● In case alarm output code is E to G

E	PAU ALARM UNIT provided	Refer to page 51.
F	E3C Separate Type Optical alarm unit provided	Refer to page 52.
G	PAS/IAU ANALOG OUTPUT UNIT provided	Refer to page 53.