

P-550

GENERAL

P-550 is a Purgemeter which covers Max. 30L/min.(Water) or 550NL/min (Air) by compact designed 150mm mounting length and 43mm width.

P-550 covers much more tough applications than existing purgemeters thanks to 130°C Max. temperature and 10kgf/cm²G operation pressure rating.

MAJOR APPLICATIONS

All applications (Medium~Large sizes)

STANDARD SPECIFICATION

Measuring object		Liquids and Gases	
Measuring range	Air	Min. range: 35~350NL/min Max. range: 55~550NL/min	Air, 0°C, 1atm Below table is indicated by flow rate of Air at 0°C,1atm. Flow rate conversion is necessary when fluid specification is different. Consult factory for details.
	Water	Min. range: 1.2~12 L/min Max. range: 3~30 L/min	
Range ability	10 : 1		
Indication accuracy	±5%F.S.		
Max. Op. Press.	10kgf/cm ² G(1.0MPa)		
Max. Op. Temp.	130°C	Standard products have the packing materials made of NBR, so Max. Temp. is 80°C.	
Material		Standard	Option
Body	Body	SUS316	
	Tapered tube	Pyrex glass	
	Packing	NBR(Max.80°C)	Viton (Max.130°C),
	Support	Aluminium	
Protection Cover		Acryl	
Process connection	Std.	Rc1/2	Refer to Model Code for details.
	Option	Rc3/8,3/4,3/8,1/2SW NPT3/8,1/2,3/4	
Installation	Std.	Panel front screw (M3) mount, Panel front rock nut mount	Refer to Model Code for details.
	Option	Bezel mount, Panel rear screw mount	
Weight(std.type)		1.3kg	

ALARM CONTACT AND ANALOG OUTPUT

Type	Availability	Reference pages	
Reed switch type alarm unit	General type	○	49,50 page
	CE,UL Version	○	49,50 page
PAU Optical alarm unit	×		
Optical alarm unit	×		
Analog output unit	×		

STANDARD FLOW RATE TABLE

In case that the Alarm Output Code is A ~ D			
AIR(1atm,0°C)	Alarm setting range	Water	Alarm setting range
35~350 NL/min	70~280 NL/min	1.2~12 L/min	2.4~10 L/min
40~400 NL/min	80~320 NL/min	1.5~15 L/min	3~12 L/min
50~500 NL/min	100~400 NL/min	2~20 L/min	4~16 L/min
55~550 NL/min	110~440 NL/min	3~30 L/min	6~24 L/min

OTHER AVAILABLE OPTIONS

You can specify the following options:

Two point alarm, reed switch lead wire length, double graduations, special graduations, built-in rubber joint type, built-in joint type, etc. (For details, refer to ⑥ [Other Option] on page 60).

ORDERING INFORMATION

Basic model code	Designation items for detailed specifications					
P-55□-□□-□□-□□	①	②	③	④	⑤	⑥
(Use model code table for selection)	Fluid name	Measuring range	Press.	Temp.	Mounting Option	Other Option
	(For specification procedure, refer to page 57)					



OTHER AVAILABLE OPTIONS

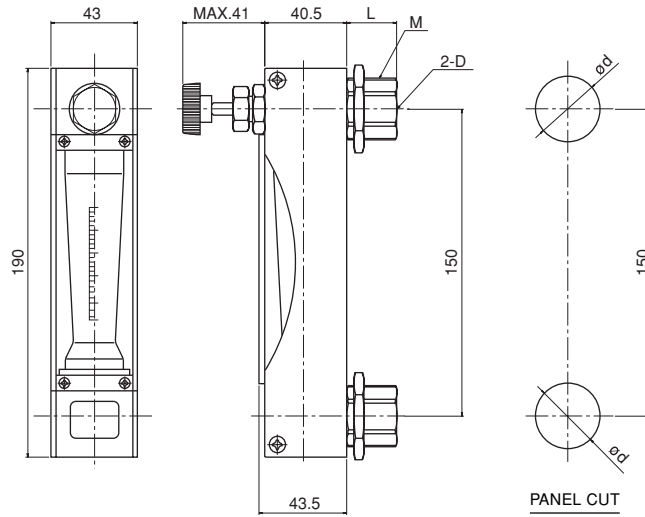
The following options can be specified;
Two point alarm, front panel adjustable alarm, double graduations, special graduations, hose fittings, special connection fittings, etc. (Consult factory for details.)

BASIC MODEL CODE

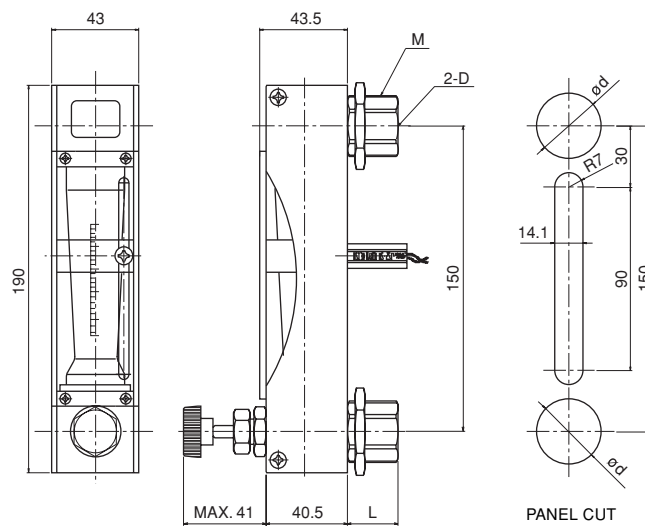
SERIES NAME	VALVE	ALARM ANALOG OUTPUT	BODY MATERIAL	PACKING MATERIAL	CONNECTION TYPE	CONNECTION SIZE	EXAMPLE	DESCRIPTION
P-55	0	1	6	Z	R	4		
						3	3/8	
						4	1/2 (Std.)	
						5	3/4	Available only for Alarm/Output code M and R.
					R	Rc Thread	Panel front rock nut mount only	Bezel mounting also available. (Consult factory)
					M	NPT Thread	Ditto	
					S	SW	Ditto	
					N	NBR (Std.)		
					F	Viton		
					Z	Special		
					6	SUS316 (Std.)	Select P-520 model for PVC and PTFE. Select P-7□ series for fluorine resin made tapered tube.	
					Z	Special		
					0	Not provided		
					A	Reed switch alarm (LO)		Refer to page 49, 50
					B	Reed switch alarm (LC)		
					C	Reed switch alarm (HO)		
					D	Reed switch alarm (HC)		
					Z	Special		
					0	Not provided		
					L	Bottom (gas for atmospheric pressure scale)	Refer to valve location selection guide (Page 61).	
					U	Top (gas for pressure scale or for negative pressure on the secondary side)		
					Z	Special		
					0	Bottom rear → Top rear (Std.)	Select this code normally	
					9	Special		

DIMENSIONS

● P-550-U0-6N-□□



● P-550-LA-6N-□□



Connection	Connection	ϕd	L	M
	Rc3/8	32	22.5	M30
	Rc1/2	34	22.5	M32
	Rc3/4	42	23.5	M40
	SW3/8	32	25	M30
	SW1/2	32	21.3	M30

Caution) Use non-magnetize material for mounting panel.

● Standard Material

Parts name	Standard material	Available material
Body	SUS316	
Tapered tube	Pyrex glass	
Float	SUS316	
Float rod	SUS316	
Float stopper	PTFE	
Packing	NBR	Viton
Tapered tube holder	SUS316	
Valve	SUS316	
Cover	Aluminum	
Front Cover	Transparent Acryl	

Parts whose names are described in **bold letters** are in contact with fluids to be measured.

● In case alarm output code is A to D

A	Reed switch alarm (LO)	Refer to page 49, 50.
B	Reed switch alarm (LC)	
C	Reed switch alarm (HO)	
D	Reed switch alarm (HC)	