

P-540

GENERAL

Compact design covers a variety of flow range. Light weight and smartness available for wide range usage.

MAJOR APPLICATIONS

General purpose (Large flow rate)

STANDARD SPECIFICATION

Measuring object		Liquids and gases	
Measuring range	Air	Min. 2.5~25 NL/min. Max. 60~600 NL/min.	· Air at 0°C, 1atm · When selecting flow range, refer to standard flow rate table. · In case Op. Press. at gas is not 1atm, refer to page 1.
	Water	Min. 0.1~1 L/min. Max. 3~30 L/min.	
Range ability		10:1	
Accuracy		± 5%F.S.	
Max. Op. Press.		8kgf/cm ² G(0.8MPa)	
Max. Op. Temp.		120°C	Standard products have the packing materials made of NBR, so Max. Temp. is 80°C.
Material		Std.	Option (Specify by model code)
	Body	SUS304 (Body SCS14)	SUS316
	Tapered tube	Pyrex glass	Refer to P-7□□ series for fluorine resin made tapered tube.
	Packing	NBR(max.80°C)	Viton (max.120°C), CR(max.80°C), EPDM(max.80°C)
	Support Cover	Aluminum Poly-carbonate	
Connection	Std.	Rc3/8	Refer to Basic model code for details.
	Opt.	Rc1/2, NPT3/8, NPT1/2, 3/8SW 3/8VCR	
Mounting	Std.	Thread (M5) mount onto panel front	
	Opt.	Panel-rear installation	
Weight (std. type)		1.8kg	



ALARM AND ANALOG OUTPUT

Type	Availability	Reference pages
Reed switch type alarm unit	General	49,50 page
	CE, UL Version	
PAU Optical alarm unit	×	
Optical alarm unit	×	
Analog output unit	×	

STANDARD FLOW RATE TABLE

(In case Op.Press at gas is not 1atm, refer to Page 1.)

In case alarm analog output code is O		In case alarm analog output code is A to D			
AIR(1atm,0°C)	Water	AIR(1atm,0°C)	Alarm setting range	Water	Alarm setting range
2.5~25 NL/min	0.1~1 L/min	5~50 NL/min	10~40 NL/min	0.2~2 L/min	0.4~1.6 L/min
3~30 NL/min					
5~50 NL/min	0.2~2 L/min	10~100 NL/min	20~80 NL/min	0.3~3 L/min	0.6~2.4 L/min
10~100 NL/min	0.3~3 L/min	20~200 NL/min	40~160 NL/min	0.5~5 L/min	1~4 L/min
20~200 NL/min	0.5~5 L/min	30~300 NL/min	60~240 NL/min	1~10 L/min	2~8 L/min
30~300 NL/min	1~10 L/min	40~400 NL/min	80~320 NL/min	1.5~15 L/min	3~12 L/min
40~400 NL/min	1.5~15 L/min	50~500 NL/min	100~400 NL/min	2~20 L/min	4~16 L/min
50~500 NL/min	2~20 L/min	60~600 NL/min	120~480 NL/min	3~30 L/min	6~24 L/min
60~600 NL/min	3~30 L/min				

* Float material should be PVC.
*2 Available for viscosity 1.0cP only.

OTHER AVAILABLE OPTIONS

You can specify the following options:

Two point alarm, reed switch lead wire length, double graduations, special graduations, built-in rubber joint type, built-in joint type, etc. (For details, refer to ⑥ [Other Option] on page 60).

BASIC MODEL CODE

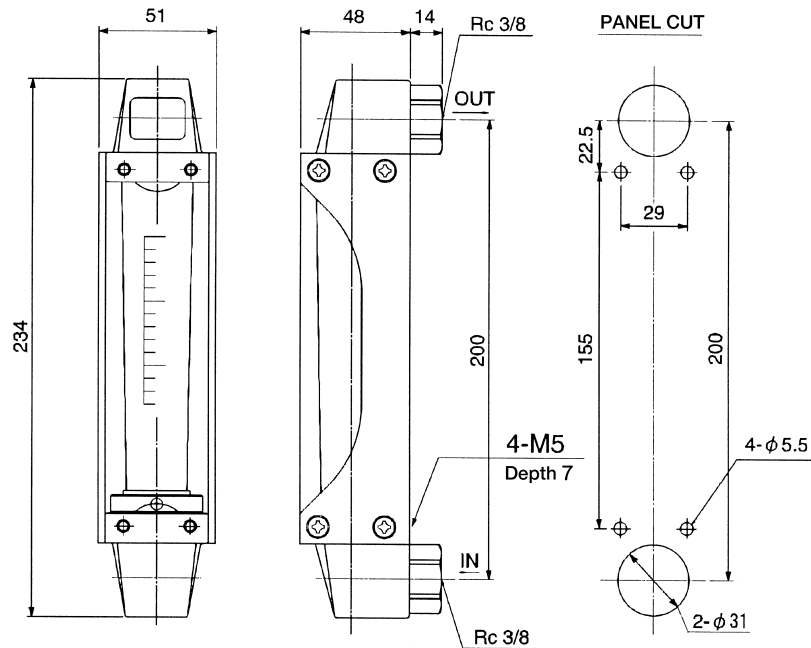
SERIES NAME	VALVE	ALARM ANALOG OUTPUT	WETTED PARTS MATERIAL	PACKING MATERIAL	CONNECTION TYPE	CONNECTION SIZE	EXAMPLE	DESCRIPTION
P-54	0	-	0	4	N	3		
						3	3/8 (Standard)	
						4	1/2	
					R		Rc thread	Front thread mount onto panel
					N		NPT thread	Same as above
					S		SW	Same as above
					V		VCR	Same as above
					N		NBR (Standard)	
					C		CR	Select it for ammonia gas.
					F		VITON	
					E		EPDM	
					Z		Special	
					4		SUS304 (Standard)	Select P-520 model for PVC, PTFE.
					6		SUS316	Select P-7□□ series for fluorine resin made tapered tube.
					Z		Special	
					0		Not provided	
					A		Reed switch alarm (LO)	Refer to page 49, 50.
					B		Reed switch alarm (LC)	
					C		Reed switch alarm (HO)	
					D		Reed switch alarm (HC)	
					Z		Special	
					0		Not provided	
					L		Bottom (gas for atmospheric pressure scale)	Refer to valve location selection guide (Page 61).
					U		Top (gas for pressure scale or for negative pressure on the secondary side)	
					Z		Special	
					0		Bottom rear → Top rear (Standard)	

ORDERING INFORMATION

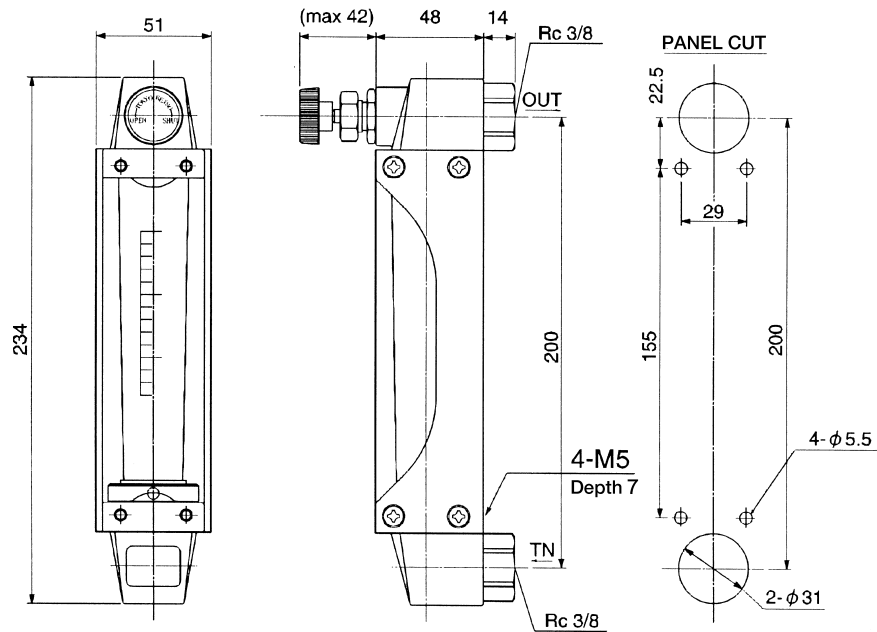
Basic model code	Designation items for detailed specifications
P-54 □-□□-□□-□□	① Fluid name — ② Measuring range — ③ Press. — ④ Temp. — ⑤ Mounting Option — ⑥ Other Option
(Use model code table for selection)	(For specification procedure, refer to page 57)

DIMENSIONS

● P-540-00-4N-R3



● P-540-U0-4N-R3



Caution) Use non-magnetize material for panel when ALARM ANALOG OUTPUT code is A~D.

● Standard Material

Parts name	Standard material	Available material
Body	SCS14	
Tapered tube	Pyrex glass	
Float	SUS304	SUS316
Float rod	SUS316	
Packing	NBR	Viton, CR, EPDM
Float stopper	PTFE	
Valve	SUS304	SUS316
Joint	SCS304	SUS316
Mounting board	Aluminum	
Cover	Poly-carbonate	

Parts whose names are described in **bold letters** are in contact with fluids to be measured.

● In case alarm output code is A to D

A	Reed switch alarm (LO)	Refer to page 49, 50.
B	Reed switch alarm (LC)	
C	Reed switch alarm (HO)	
D	Reed switch alarm (HC)	