

P-520

● Old model P-500-2

■ GENERAL

Resin (PVC, TEFLON) construction eliminates the possibility of introduction of metallic ions into process liquids. Suitable for Pure and Ultra pure water lines in Semi-conductor production facilities.

■ MAJOR APPLICATIONS

Pure/Ultra pure water lines

■ STANDARD SPECIFICATION

Measuring objec		Liquids	
Measuring range	Water	Min. 1~10* L/min	When selecting flow range, refer to standard flow rate table.
		Max. 12~60 L/min	
Range ability		10:1	10:2 occasionally
Accuracy		±5%F.S.	
Max. Op. Press.		5kgf/cm ² G(0.5MPa)	
Max. Op. Temp.		60°C	Body material Heat-proof PVC - max 80°C (PTFE - max 80°C).
Material		Std.	Option (Specify by model code)
	Body	PVC(max60°C)	Heat-proof PVC(max.80°C) PTFE(max.80°C)
	Tapered tube	Pyrex glass	(Refer to P-7□□ series for fluorine resin made tapered tube.)
	Packing	Viton	EPDM
	Support	SUS304	
	Cover	Transparent PVC	
Connection	Std.	Rc1/2	Refer to Basic model code for details.
	Opt.	Rc3/4,NPT1/2,NPT3/4 etc.	
Mounting	Std.	Thread (M3) mount onto panel front	Refer to ordering information for details.
	Opt.	Panel-rear installation,	
Weight (std. type)		1.2kg	

*Consult in case 1~10 L/min or less

■ ALARM AND ANALOG OUTPUT

Type	Availability	Reference pages
Reed switch type alarm unit	General	○ 49,50 page
	CE, UL Version	○ 49,50 page
PAU Optical alarm unit	○	51 page
Optical alarm unit	×	
PAS/IAU analog output unit	○	53-56 page

■ STANDARD FLOW RATE TABLE

(Consult in case 1~10 L/min or less.)

AIR(1atm,0°C)	In case alarm analog output code is O,E and G		In case alarm analog output code is A to D	
	Water	Water	Water	Alarm setting range
	1~10 L/min	1.2~12 L/min	2.4~10 L/min	
	1.5~15 L/min	1.5~15 L/min	3~12 L/min	
	2~20 L/min	2~20 L/min	4~16 L/min	
	3~30 L/min	3~30 L/min	6~24 L/min	
	4~40 L/min	4~40 L/min	8~32 L/min	
	4.5~45 L/min	4.5~45 L/min	9~36 L/min	
	5~50 L/min	5~50 L/min	10~40 L/min	
	12~60 L/min	12~60 L/min	18~48 L/min	

May be different depending on the scale length.

■ OTHER AVAILABLE OPTIONS

You can specify the following options:

Two point alarm, Variable type on the front of alarm contact, reed switch lead wire length, double graduations, special graduations, built-in joint type, etc.

(For details, refer to ⑥ [Other Option] on page 60).



■ BASIC MODEL CODE

SERIES NAME	FLOW DIRECTION	VALVE	ALARM ANALOG OUTPUT	BODY MATERIAL	PACKING MATERIAL	CONNECTION TYPE	CONNECTION SIZE	EXAMPLE	
								DESCRIPTION	
P-52	0	+	0	P	F	R	4		
								4	1/2 (Standard)
								5	3/4
								6	1
								Z	Special
						R	Rc thread (Standard)		Thread mounting onto panel front. If you want to use any other mounting, select from [Mounting Option].
						N	NPT thread		
						Z	Special		
						F	Viton(Standard)		
						E	EPDM		
						Z	Special		
						P	PVC(Standard)		
						T	PTFE		
						4	SUS304		
						B	BS		
						Z	Special		
			0				Not provided		
			A				Reed switch alarm (LO)		Refer to page 49, 50.
			B				Reed switch alarm (LC)		
			C				Reed switch alarm (HO)		
			D				Reed switch alarm (HC)		
			E				PAU ALARM UNIT provided		Refer to page 51.
			G				PAS/IAU analog output unit		Refer to page 53.
			Z				Special		
			0				Not provided		
			L				Bottom		
			Z				Special		
			0				Bottom rear → Top rear (Standard)		Select this code normally.
			1				Bottom → Top		Valve is not provided.
			9				Special		

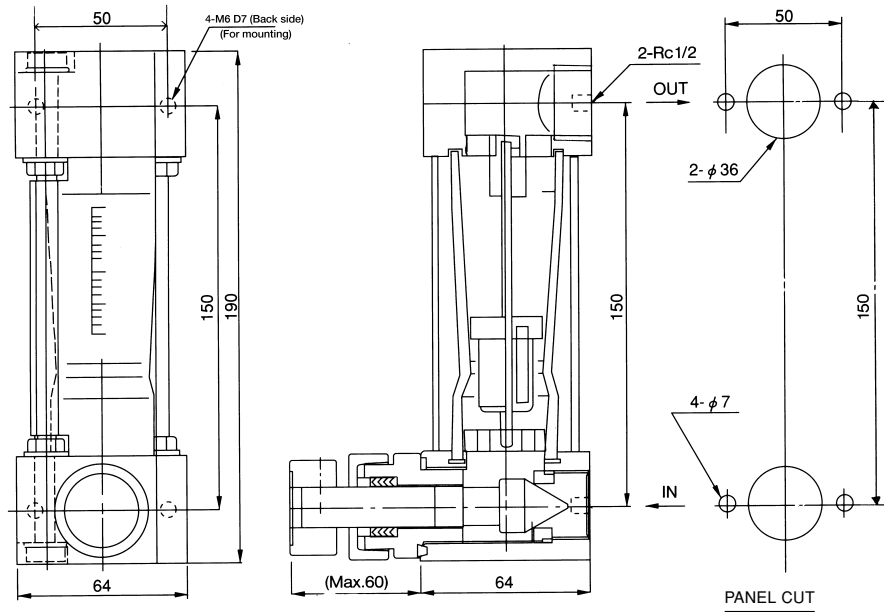
■ ORDERING INFORMATION

Basic model code	Designation items for detailed specifications					
P-52 □-□□-□□-□□	①	②	③	④	⑤	⑥
	Fluid name	Measuring range	Press.	Temp.	Mounting Option	Other Option
(Use model code table for selection)	(For specification procedure, refer to page 57)					

DIMENSIONS

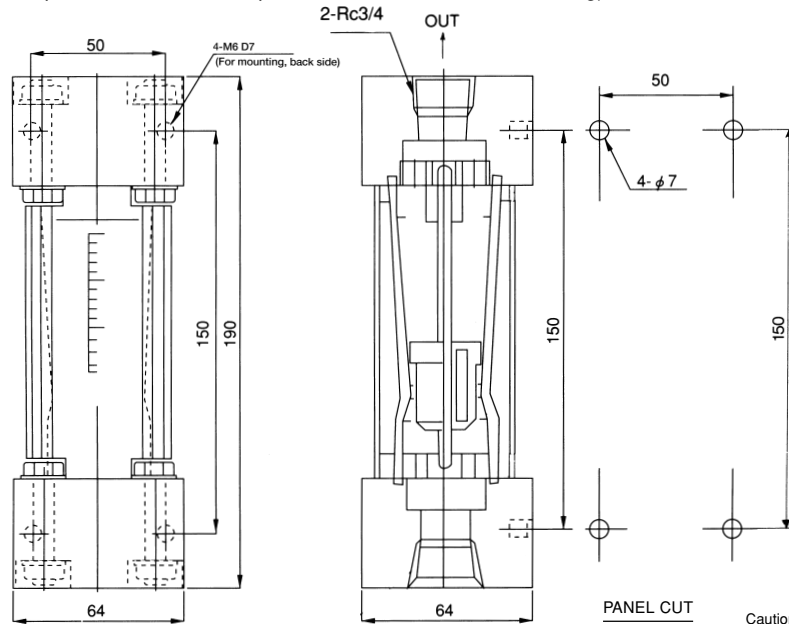
● STANDARD TYPE

(P-520-L0-4N-PF-R4 Valve provided at Inlet, Panel front screw fixing)



● FLOW DIRECTION STRAIGHT-THROUGH TYPE

(P-521-00-PF-R5, Valve not provided, Bottom to top direction, Panel front screw fixing)



Caution) Use non-magnetize material for panel when ALARM ANALOG OUTPUT code is A~D.

● Standard Material

Parts name	Standard material	Available material
Body	PVC	PTFE, SUS304
Tapered tube	Pyrex glass	
Float	PVC	SUS304, PTFE
Packing	Viton	EPDM
Float rod	FEP covering SUS316	
Float stopper	PVC	PTFE
Valve	PVC	PTFE
Column	SUS304	
Cover	Transparent PVC	

Parts whose names are described in **bold letters** are in contact with fluids to be measured.

● In case alarm output code is A to D

A	Reed switch alarm (LO)	Refer to page 49, 50.
B	Reed switch alarm (LC)	
C	Reed switch alarm (HO)	
D	Reed switch alarm (HC)	

● In case alarm output code is E, G

E	PAU ALARM UNIT provided	Refer to page 51.
G	PAS/IAU analog output unit provided	Refer to page 53.