

P-300

GENERAL

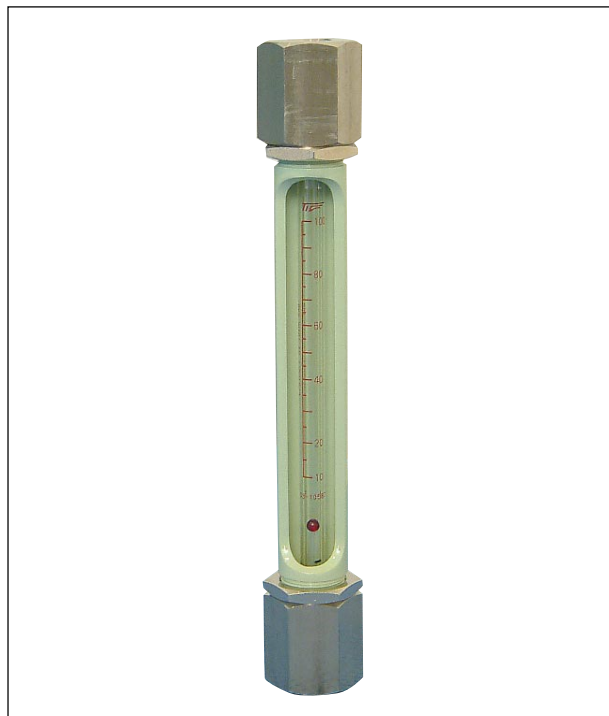
Compact, straight-through type. Simple structure and easy control for flow range.

MAJOR APPLICATIONS

General purpose, direct mounting onto process piping

STANDARD SPECIFICATION

Measuring object		Liquids and gases	
Measuring range	Air	Min. 80~800 NmL/min. Max. 6 ~ 60 NL/min.	· Air at 0°C, 1atm · When selecting flow range, refer to standard flow rate table. · In case Op. Press.at gas is not 1atm, refer to page 1.
	Water	Min. 5~50 mL/min. Max. 0.2~2 L/min.	
Range ability		10:1	10:2 occasionally
Accuracy		± 3%F.S.	
Max. Op. Press.		8kgf/ cm ² G(0.8MPa)	
Max. Op. Temp.		120°C	Standard products have the packing materials made of NBR, so Max. Temp. is 80°C.
Material		Std.	Option(Specify by model code)
	Body	SUS304	SUS316
	Tapered tube	Pyrex glass	
	Packing	NBR(max80°C)	Viton(max.120°C), CR(max.80°C),EPDM(max.80°C)
	Support	C2700T	
Connection	Std.	Rc1/4	Refer to Basic model code for details.
	Opt.	Rc1/8,3/8, 1/2,NPT1/8,1/4,3/8, 1/2,JIS10KFF etc.	
Mounting	Std.	Piping mounting	Refer to ordering information for details.
	Opt.	Panel mounting by attached metal fitting Flange mounting etc.	
Weight(std. type)		0.4kg	



ALARM AND ANALOG OUTPUT

Type	Availability	Reference pages
Reed switch type alarm unit	General	×
	CE, UL Version	×
PAU Optical alarm unit	×	
Optical alarm unit	×	
Analog output unit	×	

STANDARD FLOW RATE TABLE

(In case Op. Press at gas is not 1atm, refer to page 1.)

AIR(1atm,0°C)		WATER	
80 ~ 800	NmL/min	5 ~ 50	mL/min
0.1 ~ 1	NL/min		
0.2 ~ 2	NL/min	10 ~ 100	mL/min
0.3 ~ 3	NL/min	20 ~ 200	mL/min
0.5 ~ 5	NL/min	30 ~ 300	mL/min
1 ~ 10	NL/min	50 ~ 500	mL/min
2 ~ 20	NL/min	0.1 ~ 1	L/min
3 ~ 30	NL/min	0.15 ~ 1.5	L/min
5 ~ 50	NL/min	0.2 ~ 2	L/min
6 ~ 60	NL/min		

OTHER AVAILABLE OPTIONS

You can specify the following options:
Double graduations, special graduations, built-in rubber joint type, built-in joint type, etc.

(For details, refer to ⑥ Other Option on page 60).

ORDERING INFORMATION

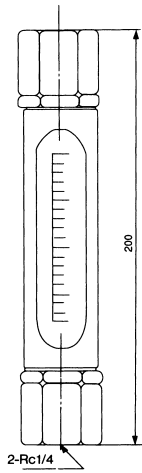
Basic model code	Designation items for detailed specifications					
P-300-□□-□□	①	②	③	④	⑤	⑥
(Use model code table for selection)	Fluid name	Measuring range	Press.	Temp.	Mounting Option	Other Option
	(For specification procedure, refer to page 57)					

BASIC MODEL CODE

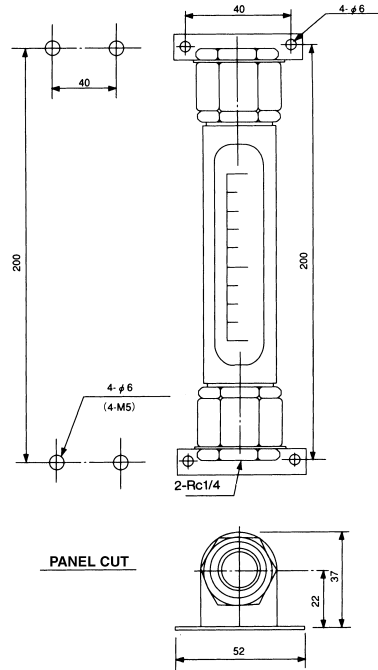
SERIES NAME	WETTED PARTS MATERIAL	PACKING MATERIAL	CONNECTION TYPE	CONNECTION SIZE	EXAMPLE	DESCRIPTION
P-300	T	N	R	2		
	WETTED PARTS MATERIAL	PACKING MATERIAL	CONNECTION TYPE	1	1/8	
				2	1/4(Standard)	
				3	3/8	
				4	1/2	
				Z	Special	In the case of flange connection, connection size is 3/8 and 1/2 or more.
				R	Rc thread(Standard)	
				N	NPT thread	
				Z	Special	Select Z for flange
				N	NBR(Standard)	
				C	CR	Select it for ammonia gas.
	F	VITON				
	E	EPDM				
	Z	Special				
	4	SUS304(Standard)				
	6	SUS316				
	B	Special				

DIMENSIONS

● STANDARD TYPE P-300-4N-R2



● PANEL-REAR INSTALLATION TYPE (WITH PANEL FITTING ATTACHMENT) P-300-4N-R2 (Mounting Option code **F**)



● Standard Material

Parts name	Standard material	Available material
Body	SUS304	SUS316
Tapered tube	Pyrex glass	—
Float	SUS316/Glass	PTFE, Ruby
Packing	NBR	Viton, CR, EPDM
Protection tube	C2700T	SUS304
Lock-nut	C3604	SUS304

Parts whose names are described in **bold letters** are in contact with fluids to be measured.