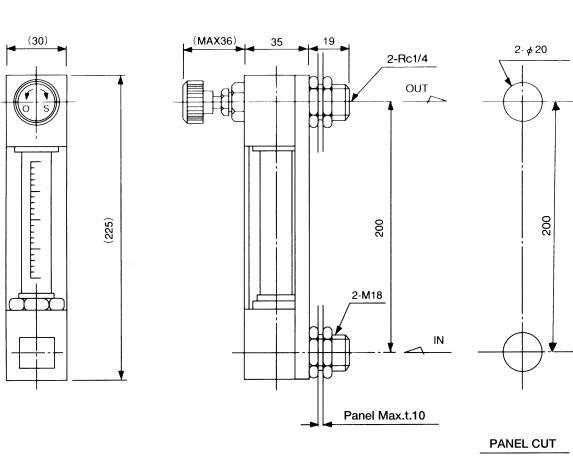


DIMENSIONS

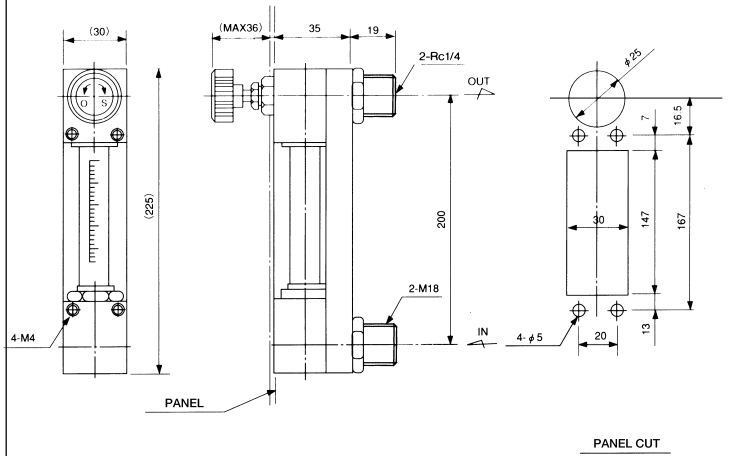
STANDARD TYPE

(P-200-U0-4N-R2 Valve provided at Outlet, Panel front lock-nut fixing)



PANEL-REAR INSTALLATION TYPE

P-200-U0-4N-R2, Valve provided at Outlet, Panel-rear installation (Mounting Option code **C**)



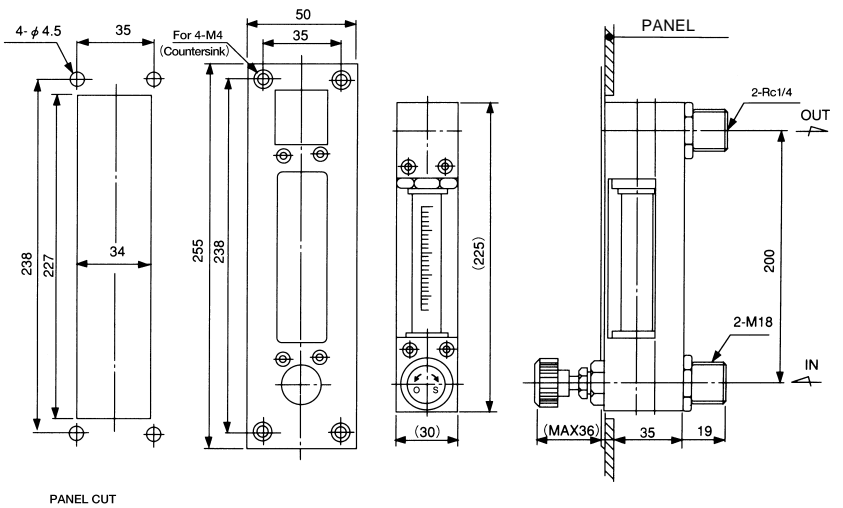
Panel cut dimension

Connection Size	Hole diameter(mm)
Rc1/4, 1/4NPT	φ 20
Rc1/8, 1/8NPT	φ 16

Caution) Use non-magnetize material for panel when ALARM ANALOG OUTPUT code is A~D.

BEZEL INSTALLATION TYPE

P-200-L0-4N-R2, Valve provided at Inlet, Bezel installation. (Mounting Option code **D**)



Standard Material

Parts name	Standard material	Available material
Support	Aluminium	
Body	SUS304	SUS316,C3604
Tapered tube	Pyrex glass	
Float	SUS316/Glass	PTFE,Ruby
Packing	NBR	Viton,CR,EPDM
Joint	SUS304	SUS316,C3604
Valve	SUS304	SUS316
Cover	Poly-carbonate	

Parts whose names are described in **bold letters** are in contact with fluids to be measured.

In case alarm output code is A to D

A	Reed switch alarm(LO)	Refer to page 49, 50.
B	Reed switch alarm(LC)	
C	Reed switch alarm(HO)	
D	Reed switch alarm(HC)	

In case alarm output code is E, F

E	PAU ALARM UNIT provided	Refer to page 51.
F	E3C Separate Type Optical alarm unit provided	Refer to page 52.