

P-050 series Purgemeter (for water lines)

GENERAL

P-050 series is the upgraded version of the conventional P-510 series. The fluid to be used is limited to water, and only SUS 316 is used for the material of the liquid contact part. The visibility of a graduation has been improved by adopting the convex lens by laser, and the alarm and analog output are also available.

MAJOR APPLICATIONS

General purpose (for water lines)

STANDARD SPECIFICATION

Measuring object		Liquid (Water <Density 1.0g/cm ³ and Viscosity 1.0mPa·s>)	
Scale range	Water	Min. range: 0.1~1L/min Max. range: 3~30L/min	When selecting flow rate, refer to model code.
Rangeability		10:1	
Accuracy		±5%F.S.	
Max. Op. Press.		0.8MPa	
Max. Op. Temp.		120°C	Standard products have the packing materials made of NBR, so Max. Temp. is 80°C.
Material		Standard	
	Body	SUS316	
	Tapered tube	Pyrex glass	
	Packing	NBR (max.80°C)	Viton (max.120°C)
	Support	SUS304	
Connection	Std.	Rc3/8	Refer to Basic model code for details.
	Option	Rc1/2	
Mounting	Std.	Thread(M3)mount onto panel front, Lock-nut mount onto panel front	Refer to ordering information for details.
Weight (Std. type)		2.0kg	

ALARM AND ANALOG OUTPUT

Type	Availability	
Reed switch type alarm unit	General	○
	CE, UL Version	○
PAU Optical alarm unit		○
Optical alarm unit		×
Analog output unit		○

Refer to our P series catalog (CF030F111) about the details of alarm and analog output.

STANDARD FLOW RATE TABLE

In case alarm analog output code is 0, E and G		In case alarm analog output code is A to D	
Water	Water	Water	Alarm setting range
0.1~1 L/min			
0.2~2 L/min	0.2~2 L/min		0.4~1.6 L/min
0.3~3 L/min	0.3~3 L/min		0.6~2.4 L/min
0.5~5 L/min	0.5~5 L/min		1~4 L/min
1~10 L/min	1~10 L/min		2~8 L/min
1.5~15 L/min	1.5~15 L/min		3~12 L/min
2~20 L/min	2~20 L/min		4~16 L/min
3~30 L/min	3~30 L/min		6~24 L/min

* Available for Viscosity 1.0mPa·s only.

* In case alarm output code is G, flow range differs. Consult factory for details.

* The fluid name indication of graduation will be "water".

ORDERING INFORMATION

Basic model code
P-05□-□□-□□-□□
(Use model code table for selection)



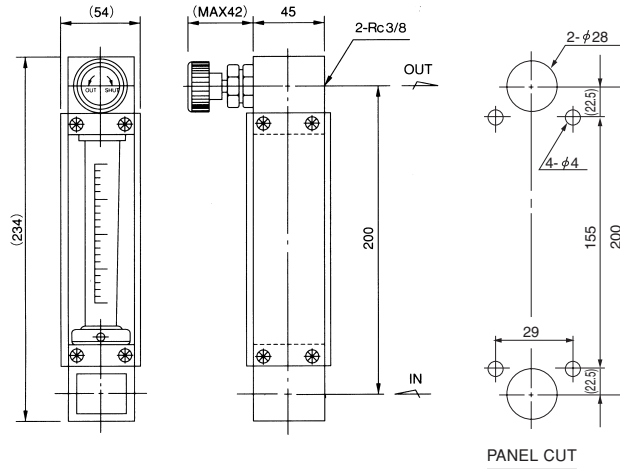
BASIC MODEL CODE

SERIES NAME	FLOW DIRECTION	VALVE	ALARM ANALOG OUTPUT	WETTED PARTS MATERIAL	PACKING MATERIAL	CONNECTION TYPE	CONNECTION SIZE	EXAMPLE	
								DESCRIPTION	
P-05	0	-	0	6	N	F	3		
		VALVE	ALARM ANALOG OUTPUT	WETTED PARTS MATERIAL	PACKING MATERIAL	CONNECTION TYPE	CONNECTION SIZE		
							3	3/8 (Standard)	
							4	1/2	
						R	Rc thread		Front thread (M3) of panel, mounting or pipe mounting
						N	NBR (Standard)		
						F	Viton		
						6	SUS316 (Standard)		
			0						Not provided
			A						Reed switch alarm (LO)
			B						Reed switch alarm (LC)
			C						Reed switch alarm (HO)
			D						Reed switch alarm (HC)
			E						PAU alarm output
			G						PAS/IAU analog output
			Z						Special
			0						Not provided
			L						Bottom
			U						Top
			Z						Special
			0						Bottom rear → Top rear (Standard)
			1						Bottom → Top
									Select this code normally

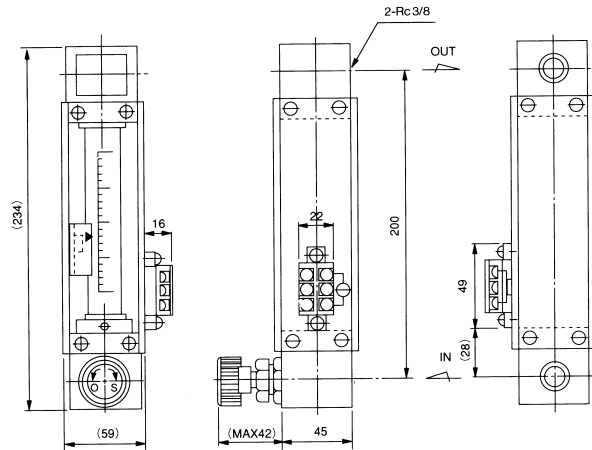
DIMENSIONS

Standard type

(P-050-U0-6N-R3 Valve provided at Outlet, panel front thread (M3) mounting type)



With alarm type (P-050-LA~D-4N-R3)



PANEL CUT SIZE

For PANEL-FRONT INSTALLATION TYPE, panel cut dimension may differ depending on connection size and rating. Refer to following table.

Connection size	Hole dia. φd	Rear dia. L
Rc 3/8	φ 28	26
Rc 1/2	φ 32	26

Caution) Use non-magnetic material for panel when ALARM ANALOG OUTPUT code is A~D.

STANDARD MATERIAL

Parts name	Standard material	Available material
Body*	SUS316	
Tapered tube*	Pyrex glass	—
Float*	SUS316	—
Packing*	NBR	Viton
Spindle*	SUS316	
Valve*	SUS316	
Support	SUS304	

Parts with * contact the measuring fluid.

* Specification is subject to change without notice.



Head Office : Shiba Toho Building, 1-7-24 Shibakoen, Minato-ku, Tokyo 105-8558
 Tel : 03-3431-1625 (KEY) ; Fax : 03-3433-4922
 e-mail : overseas.sales@tokyokeiso.co.jp ; URL : http://www.tokyokeiso.co.jp



ISO 9001 Certified
 JQA-2172