

CX-1510 series

FLOW SET VALVE
FOR LIQUID APPLICATIONS

OUTLINE

CX-1510 FLOW SET VALVE is a constant flow valve for liquids of water or equivalent for water.

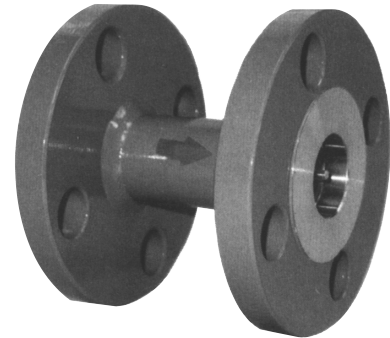
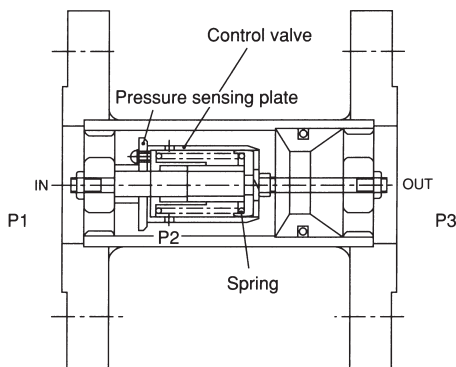
Even inlet or outlet pressure of process changes, CX-1510 maintains constant flow of liquid. CX-1510 is suitable for the stable supply of the water supply line of various facilities.

OPERATION PRINCIPLE

Water flow is introduced from inlet with pressure of P1.

The Inlet pressure P1 actuates the pressure sensing plate. The pressure sensing plate is connected to valve needle. A spring is assembled onto this valve needle unit.

The assembled spring acts so as to keep the differential pressure P2 constant and to keep constant flow even when outlet pressure P3 changes.



STANDARD SPECIFICATION

- Measuring object : Water or Low viscosity liquids
- Available size : 15, 20, 25, 32, 40, 50, 65, 80, and 100mm
- Max. Op. Temp. : 100°C
- Max. Op. Press. : 0.98MPa
- Note) Do not give the different pressure beyond 0.05MPa rapidly.
- Control differential pressure range : 49 to 250kPa
- Process connection : Rc thread, NPT thread, JIS10K flange, Others
- Possible setting range:

Size	Possible setting range (m ³ /h)
15mm	0.7 to 1.1m ³ /h
20mm	0.7 to 1.1m ³ /h
25mm	0.9 to 2m ³ /h
32mm	1.5 to 3.5m ³ /h
40mm	3 to 6m ³ /h
50mm	5.5 to 12m ³ /h
65mm	12 to 20m ³ /h
80mm	15 to 25m ³ /h
100mm	22 to 60m ³ /h

*: Setting is factory set and not field adjustable

- Control accuracy : ±5% (Against set value)
- Painting : Munsell 7.5 BG 4/1.5

MODEL CODE

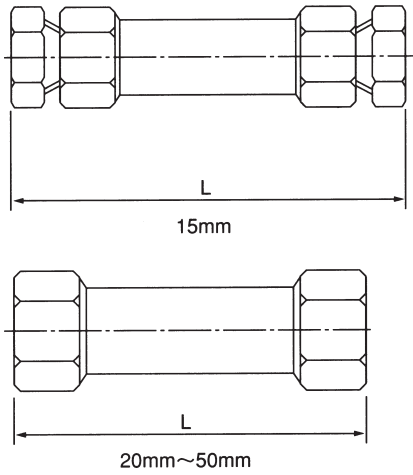
MODEL CODE		DESCRIPTION
CX-1510-		
MATERIAL CONSTRUCTION	0	MATERIAL CLASS 0 *1
	1	MATERIAL CLASS 1
	2	MATERIAL CLASS 2
	Z	Others, Special
SIZE	0	15mm (1/2")
	1	20mm (3/4")
	2	25mm (1")
	3	32mm (1 1/4")
	4	40mm (1 1/2")
	5	50mm (2")
	6	65mm (2 1/2")
	7	80mm (3")
	8	100mm (4")
Z	Others, Special	
CONNECTION RATING	1	Rc Screw *2
	2	NPT Screw *2
	3	JIS 10K Flange
	Z	Others, Special

*1: Material class 1 (SUS304) or Material class 2 (SUS316) are available for screw connection versions.

*2: Screw connection is available only for 15mm~50mm. All sizes are available for flange version.

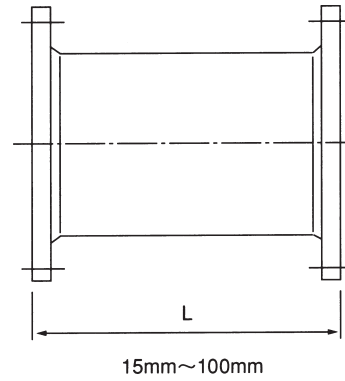
MODEL CODE

☐ Screw connection type



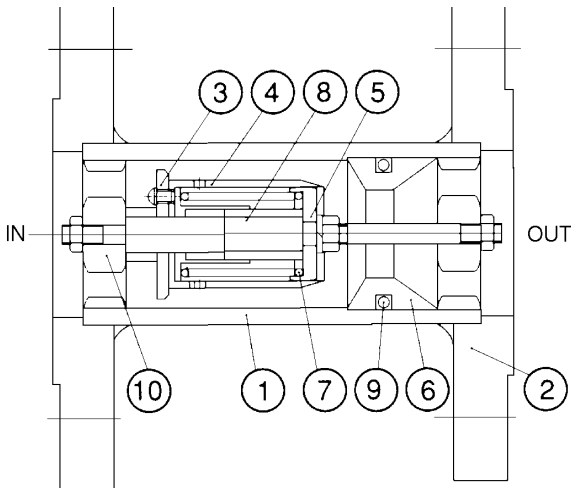
Size	L (mm)	Weight (kg)
15mm	150	0.9
20mm	110	0.6
25mm	140	1.0
32mm	150	1.3
40mm	170	1.6
50mm	200	3

☐ Flange connection type



Size	L (mm)	Weight (kg)
15mm	80	1.3
20mm	80	1.6
25mm	110	3
32mm	110	3.5
40mm	130	4
50mm	160	5.5
65mm	200	8
80mm	230	10
100mm	270	14

MATERIAL CONSTRUCTION



No.	PART NAME	MATERIAL CLASS 0*	MATERIAL CLASS 1	MATERIAL CLASS 2
1	Body	SUS304	SUS304	SUS316
2	Flange	SS400	SUS304	SUS316
3	Press. sensing plate	SUS304	SUS304	SUS316
4	Valve	C3604B	SUS304	SUS316
5	Valve guide	SUS304	SUS304	SUS316
6	Valve sheet	SUS304	SUS304	SUS316
7	Spring	SUS304	SUS304	SUS316
8	Guide rod	SUS304	SUS304	SUS316
9	O ring	EPT	EPT	Viton
10	Shaft guide	SUS304	SUS304	SUS316

*Material class 1 (SUS304) or Material class 2 (SUS316) are available for Screw connection versions.

* Specification is subject to change without notice.

TIV TOKYO KEISO CO., LTD.

Head Office : Shiba Toho Building, 1-7-24 Shibakoen, Minato-ku, Tokyo 105-8558
 Tel : 03-3431-1625 (KEY) ; Fax : 03-3433-4922
 e-mail : overseas.sales@tokyokeiso.co.jp ; URL : http://www.tokyokeiso.co.jp

