

CX-1500 series

FLOW SET VALVE FOR GAS APPLICATIONS

OUTLINE

CX-1500 FLOW SET VALVE is a constant flow valve for gases. Outlet pressure of process changes, CX-1500 maintains constant flow of gases.

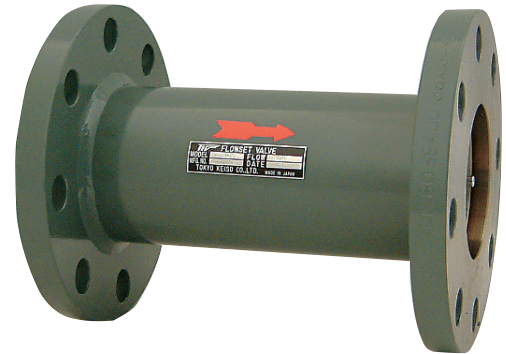
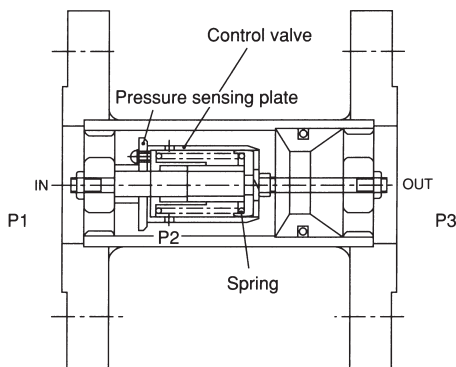
CX-1500 is suitable for stable and continuous air purging at water treatment facilities.

OPERATION PRINCIPLE

Gas flow is introduced from inlet with pressure of P1.

The Inlet pressure P1 actuates the pressure sensing plate. The pressure sensing plate is connected to valve needle. A spring is assembled onto this valve needle unit.

The assembled spring acts so as to keep the differential pressure P2 constant and to keep constant flow even when outlet pressure P3 changes.



STANDARD SPECIFICATION

- Measuring object : Air, Nitrogen, and other gases

Max. Op. Press : 1.18MPa
Don't give the different pressure beyond 0.05MPa or more rapidly.

- Available Size

Screw connection : 15, 20, 25, 32, 40, and 50mm
Flange connection : 15, 20, 25, 32, 40, 50, 65, 80, 100, 125, and 150mm

- Process connection : Rc Thread, NPT Thread, JIS 10K flange, others

- Possible setting range :

Size	Possible setting range m ³ /h (nor)
15mm	5 to 13
20mm	5 to 13
25mm	10 to 15
32mm	12 to 25
40mm	20 to 40
50mm	35 to 90
65mm	45 to 150
80mm	60 to 250
100mm	100 to 500
125mm	400 to 900
150mm	600 to 1000

Note 1) Calibration condition Air, 20°C, 49kPa
2) Setting is factory set and not field adjustable

- Operation differential pressure range :

15 to 80A	100A or more
4.9 to 44kPa	10 to 44kPa

- Control accuracy : ±5% (Against set value)
- Painting : Munsell 7.5 BG 4/1.5

MODEL CODE

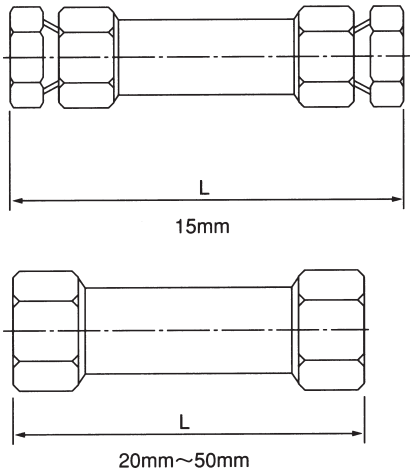
MODEL CODE		DESCRIPTION
CX-1502-		
MATERIAL CONSTRUCTION	0	MATERIAL CLASS 0 *1
	1	MATERIAL CLASS 1
	2	MATERIAL CLASS 2
	Z	Others, Special
SIZE	0	15mm (1/2")
	1	20mm (3/4")
	2	25mm (1")
	3	32mm (1 1/4")
	4	40mm (1 1/2")
	5	50mm (2")
	6	65mm (2 1/2")
	7	80mm (3")
	8	100mm (4")
	9	125mm (5")
A	150mm (6")	
Z	Others, Special	
CONNECTION RATING	1	Rc Screw *2
	2	NPT Screw *2
	3	JIS 10K Flange
	Z	Others, Special

*1: Material class 1 (SUS304) or Material class 2 (SUS316) are available for screw connection versions.

*2: Screw connection is available only for 15mm~50mm. All sizes are available for flange version.

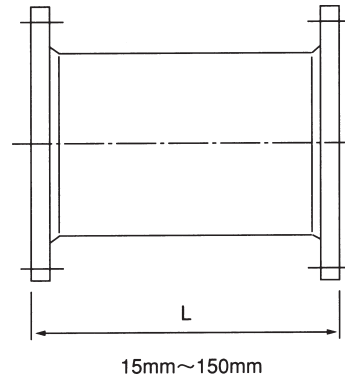
MODEL CODE

☐ Screw connection type



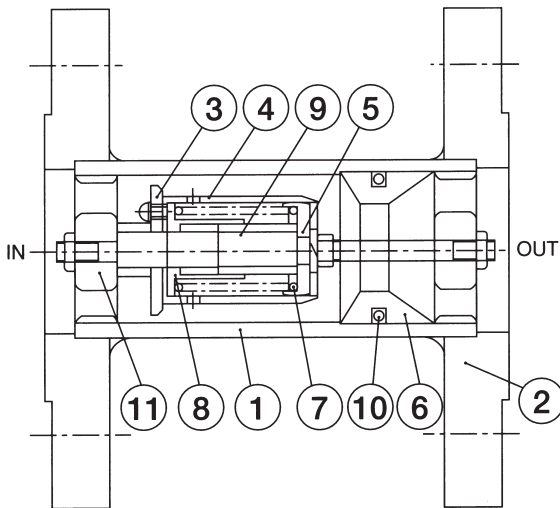
Size	L (mm)	weight (kg)
15mm	150	0.9
20mm	110	0.6
25mm	140	1.0
32mm	150	1.3
40mm	170	1.6
50mm	200	3

☐ Flange connection type



Size	L (mm)	Weight (kg)	Size	L (mm)	Weight (kg)
15mm	80	1.3	65mm	200	8
20mm	80	1.6	80mm	230	10
25mm	110	3	100mm	270	14
32mm	110	3.5	125mm	330	20
40mm	130	4	150mm	350	26
50mm	160	5.5	-	-	-

MATERIAL CONSTRUCTION



No.	PART NAME	MATERIAL CLASS 0*	MATERIAL CLASS 1	MATERIAL CLASS 2
1	Body	SUS304	SUS304	SUS316
2	Flange	SS400	SUS304	SUS316
3	Press. sensing plate	SUS304	SUS304	SUS316
4	Valve	C3604B	C3604B	SUS316
5	Valve guide	SUS304	SUS304	SUS316
6	Valve sheet	SUS304	SUS304	SUS316
7	Spring	SUS304	SUS304	SUS316
8	Damper	SUS304	SUS304	SUS316
9	Guide rod	SUS304	SUS304	SUS316
10	O ring	EPT	EPT	Viton
11	Shaft guide	SUS304	SUS304	SUS316

*Screw connection type is the material class 1 (SUS304) or class 2 (SUS316).

* Specification is subject to change without notice.

TIV TOKYO KEISO CO., LTD.

Head Office : Shiba Toho Building, 1-7-24 Shibakoen, Minato-ku, Tokyo 105-8558
 Tel : 03-3431-1625 (KEY) ; Fax : 03-3433-4922
 e-mail : overseas.sales@tokyokeiso.co.jp ; URL : http://www.tokyokeiso.co.jp

