



# TECHNICAL GUIDANCE

For stable water supply!

## CX-1101 series FLOW SET VALVE

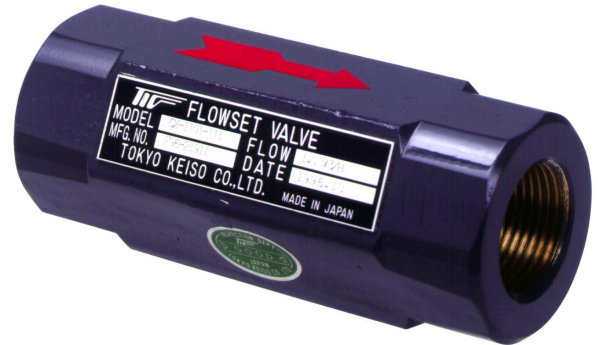
### GENERAL

**CX-1101 FLOW SET VALVE** is a constant flow valve for liquids. Even supply or load pressure of process changes, CX-1101 maintains constant flow of liquid.

**CX-1101 FLOW SET VALVE** is suitable for water / hot water lines in office buildings, apartment buildings, factories and other buildings where stable water / hot water supply is required.

A setup at site is unnecessary because flow rate is set up in the high precision in accordance with customer's specifications in our factory.

CX-1101 can be installed to any direction of process i.e. horizontal or vertical.



### FEATURES

- All metallic construction and high durability.
- Simple, self-regulating mechanism
- Cost effective and Quick delivery
- Easy screw connection
- Stable and accurate control characteristics
- Brass and 316SS material are available to meet fluid corrosion

### STANDARD SPECIFICATION

Size	15mm, 20mm, 25mm, 40mm
Fluid	Water and other liquids*
Max.line press.	1MPa (10kgf/cm <sup>2</sup> G)
Control differential press.	0.03 ~ 0.7MPa (0.3 ~ 7kgf/cm <sup>2</sup> G)
Control accuracy	± 5%
Max.fluid temp.	150°C
Process connection	Rc thread, NPT(F), Other female threads

\*Max.viscosity is 10cP. Not suitable for liquids with solids

### MODEL CODE

Model code		Description
CX-1101-		
Material	1	Brass(JIS C3604)/304SS
	2	316SS
Size	0	15mm
	1	20mm
	2	25mm
	3	40mm
Process connection	1	Rc thread
	2	NPT(F)
	3	Other female thread

### SETTING RANGE

Flow rate can be set as per the following table.  
Specify setting flow rate.

Water (Sp.Gr.1.0g/cm<sup>3</sup>)

Size	Possible setting range (Qw)
15mm	3~10 L/min
20mm	5~25 L/min
25mm	10~40 L/min
40mm	25~70 L/min

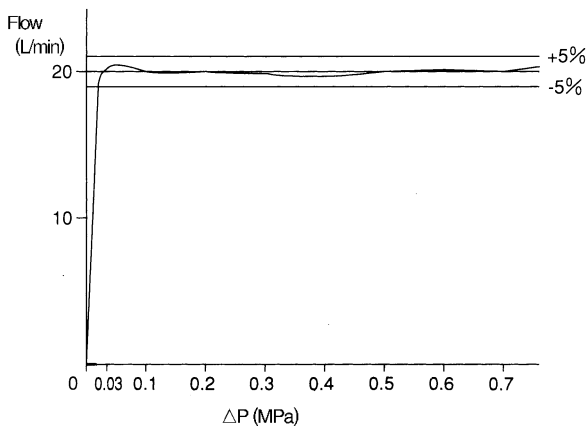
Refer to an upper table after you calculate (Qw) by the bottom formula in case of liquid density is except for 1.0.

$$Qw = Q \times \sqrt{\frac{\gamma}{1.0}}$$

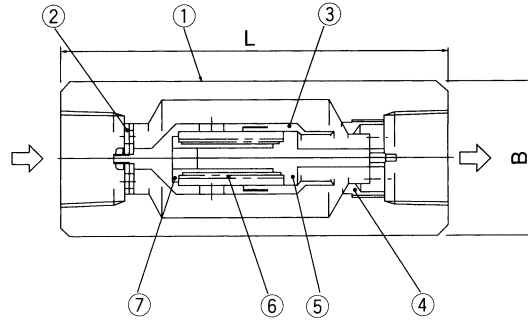
Q : The setup flow rate of the actual liquid  
γ : Density of actual liquid

### CONTROL CHARACTERISTICS

CX-1101-□2□, 20L/min setting



### STRUCTURE



B indicates face to face dimension of Hex. Material.

### DIMENSION

Size	L	B	Weight (kg)
15mm	90mm	32mm	0.6
20mm	110mm	41mm	1.0
25mm	130mm	46mm	1.5
40mm	150mm	65mm	2.8

### MATERIAL

No.	Parts name	CX-1101-1□□	CX-1101-2□□
①	Body	SCS14 (Cast stainless steel)	SCS14 (Cast stainless steel)
②	Target plate	304SS	316SS
③	Valve	Brass (JIS C3604)	316SS
④	Valve sheet	Brass (JIS C3604)	316SS
⑤	Valve guide	304SS	316SS
⑥	Spring	304SS	316SS
⑦	Spring guide	Brass (JIS C3604)	316SS

### ORDER INFORMATION

Specify the following for order / inquiry

1. Model code
2. Setting flow rate (L/min)
3. Flow direction (Horizontal, Top → Bottom, Bottom → Top)
4. Density and Viscosity of the fluid

\*Specification subject to change without notice

**TOKYO KEISO CO., LTD.**

Head Office : Shiba Toho Building, 1-7-24 Shibakoen, Minato-ku, Tokyo 105-8558  
Tel : 03-3431-1625 (KEY) ; Fax : 03-3433-4922  
e-mail : overseas.sales@tokyokeiso.co.jp ; URL : http://www.tokyokeiso.co.jp

