

### GENERAL

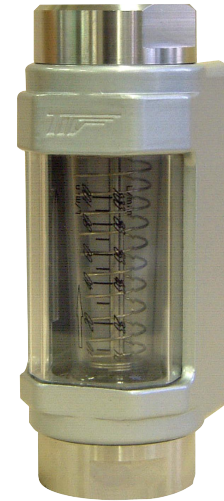
FA-6000 is the new addition to FA series FLOW MONITOR, which have been welcomed by customers.

FA-6000 indicates flow rate of liquids and outputs an alarm contact at freely adjustable setting point.

Newly designed metal supported body construction offers best durability against piping stress.

### FEATURES

- ❑ COMPACT AND LIGHT DESIGN  
FA-6000 is very much suitable for assembling onto equipments and devices due to its compact and light design.
- ❑ DURABLE CONSTRUCTION  
Process connection is done through stainless steel fittings which support FA-6000 against piping stress.
- ❑ WATER PROOF CONSTRUCTION  
FA-6000 can also be used under splashes of water.
- ❑ QUICK DELIVERY AND COMPETITIVE PRICE  
The standardized specification allows reasonable quick delivery time.



### RECOMMENDED APPLICATION

- Cooling water line
- Monitoring of leakage of sealing liquids
- Cooling fluids lines in Injection Moulding machines
- Liquid cultivating medium supply
- Others

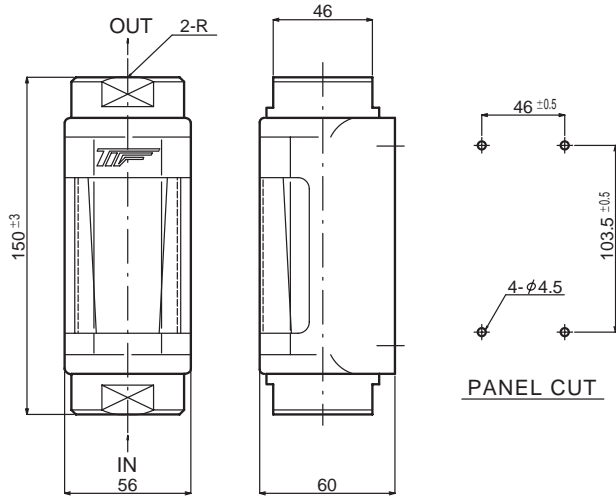
### STANDARD APPLICATION

- Application fluid : Water or low viscosity liquids
- Available size : 3~30L/mim  
5~50L/mim  
8~80L/mim  
10~100L/mim
- Process connection Rc1(Std.),3/4,1/2
- Flow direction Bottom to Top, Left to Right,  
Right to Left, Top to Bottom
- Max.OP.Temp. 60°C
- Max.OP.Press. 0.8MPa
- Indication accuracy ±5% of full scale
- Alarm setting accuracy ±5% of full scale
- Alarm setting range 20%~90% of full scale
- Alarm reset span Max. 15% of full scale
- Alarm contact SPST Reed switch (Self holding type)  
Compatible with UL standards
- Alarm action High alarm(OPEN,CLOSE)  
Low alarm(OPEN,CLOSE)
- Electric connection Reed wire connection

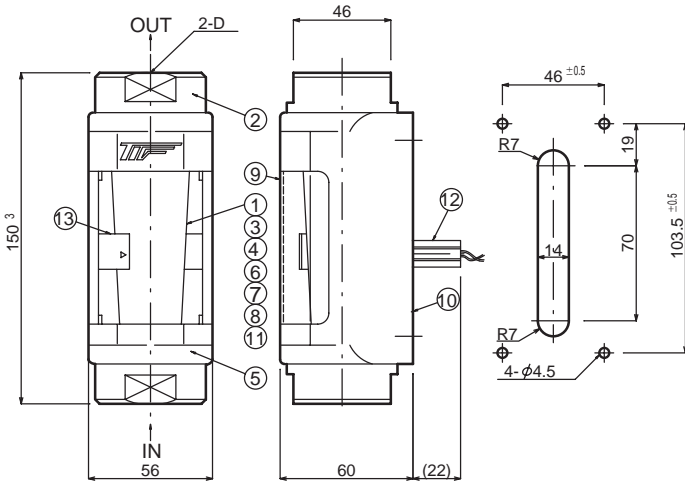
### MODEL CODE

FA-6					DESCRIPTION
Scale range	1				3~30L/min
	2				5~50L/min
	3				8~80L/min
	4				10~100L/min
	5				Other special scale range
Process connection	1				Rc1/2
	2				Rc3/4
	3				Rc1 (Std.)
	9				Other special connection
Alarm function	1				High-ON
	2				High-OFF
	3				Low-ON
	4				Low-OFF
	0				No alarm provided
Flow direction	-	1			Bottom to Top
	-	6			Left to Right
	-	7			Right to Left
	-	8			Top to Bottom

**DIMENSION AND MATERIAL**



No.	DESCRIPTION	MATERIAL
1	Float	PPS magnet
2	Fittings	SUS 304
3	Float stopper	SUS 304
4	Float rod	SUS 316
5	Body	SCS 14
6	Stopper	Fluorine rubber
7	Spring	SUS 316WP
8	Tapered tube	Acryl
9	Front cover	Acryl
10	Rear cover	ABS
11	O ring	Fluorine rubber
12	Reed switch	
13	Fixing	ABS



**CAUTION FOR USE**

- Magnet Straightener**  
 A magnet is moulded in the float and in case ferrous powders are involved in the fluid, smooth movement of float will not be obtained. It is recommended to install a Magnet Straightener in upstream of the line to eliminate the ferrous contents.

\*Specification subject to change without notice

**TOKYO KEISO CO., LTD.**

Head Office : Shiba Toho Building, 1-7-24 Shibakoen, Minato-ku, Tokyo 105-8558  
 Tel : 03-3431-1625 (KEY) ; Fax : 03-3433-4922  
 e-mail : overseas.sales@tokyokeiso.co.jp ; URL : http://www.tokyokeiso.co.jp

