

FA-5000 FLOW MONITOR

GENERAL

FA-5000 FLOW MONITOR is a flow meter for water flow measurement with very simple construction. By the position of float and scale graduation, flow rate of water is directly indicated. The float is held by spring and **FA-5000** can be installed onto any flow direction lines.

Acryl tube indicator is supported by metallic support and FA- 5000 is durable against piping stress and other tough installation conditions.



STANDARD SPECIFICATION

Measuring liquid : Water
(Sp. Gr. 1.0, 1.0cP viscosity)

Max. OP. Press : 8kg/cm²G (0.8MPa)

Max. OP. Temp. : 50°C

Scale range : ① 1~10 L/min
② 2~20 L/min
③ 3~30 L/min
④ 4~40 L/min
⑤ 10~50 L/min

Connection : Rc3/4

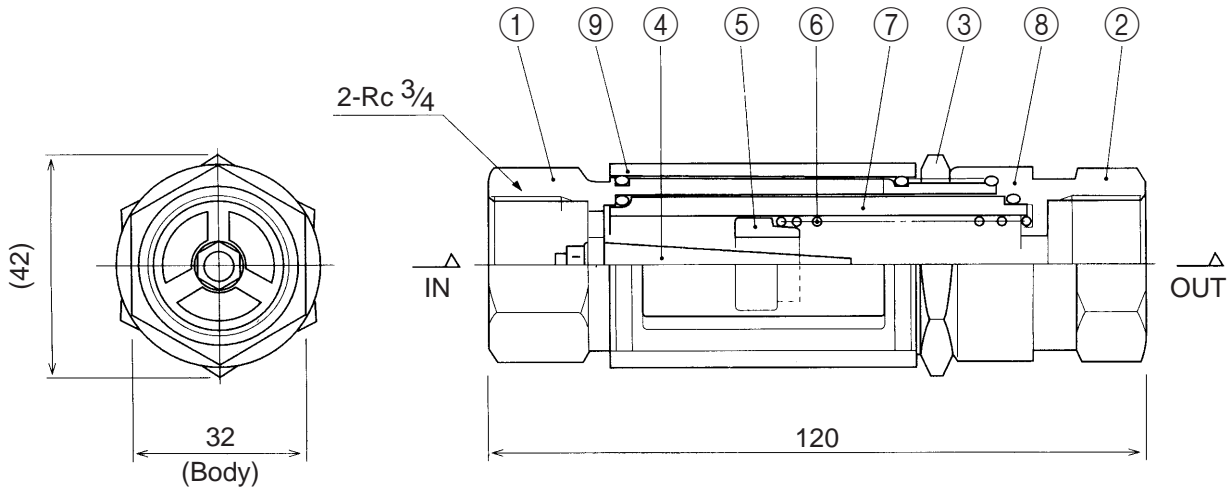
Flow direction : Any direction acceptable

Accuracy : ±5% (F.S.)

MODEL CODE

FA-5		3	0	DESCRIPTION
Scale range	3			1~10 L/min
	4			2~20 L/min
	5			3~30 L/min
	6			4~40 L/min
	7			10~50 L/min
	9			Special
Connection	3			Rc 3/4
Alarm function		0		Not provided

DIMENSION AND MATERIAL



Approx. weight 380g

No	DESCRIPTION	MATERIAL
1	INLET	SCS 13
2	OUTLET	SCS 13
3	LOCK NUT	SUS 304
4	CONE	SUS 304
5	FLOAT	POM
6	SPRING	SUS 304
7	PIPE	ACRYL
8	O-RING	NBR
9	COVER	ACRYL

*Specification subject to change without notice

TIV TOKYO KEISO CO., LTD.

Head Office : Shiba Toho Building, 1-7-24 Shibakoen, Minato-ku, Tokyo 105-8558
 Tel : 03-3431-1625 (KEY) ; Fax : 03-3433-4922
 e-mail : overseas.sales@tokyokeiso.co.jp ; URL : http://www.tokyokeiso.co.jp

