



# TECHNICAL GUIDANCE

HIGH DURABILITY WITH METAL SUPPORTING BODY CONSTRUCTION  
FLOW INDICATION WITH ALARM CONTACT IN COMPACT AND LIGHT DESIGN

## FA-3000 FLOW MONITOR

### GENERAL

**FA-3000** is the new addition to FA series FLOW MONITOR, which has been welcomed by customers.

**FA-3000** indicates flow rate of liquids and outputs an alarm contact at freely adjustable setting point.

Newly designed metal supported body construction offers best durability against piping stress.

### FEATURES

- ❑ SAVING COST  
One **FA-3000** unit covers flow measurement and alarm contact output.
- ❑ COMPACT AND LIGHT DESIGN  
**FA-3000** is very much suitable for assembling onto equipment and devices due to its compact and light design.
- ❑ DURABLE CONSTRUCTION  
Process connection is done through stainless steel fittings which support **FA-3000** against piping stress.
- ❑ ADJUSTABLE ALARM POINT  
Alarm setting point is freely adjustable even after installation.
- ❑ WATER PROOF CONSTRUCTION  
**FA-3000** can also be used under splashes of water.
- ❑ ANY FLOW DIRECTION  
Thanks to uniquely designed "Universal Graduation", **FA-3000** can be installed for any flow directions.
- ❑ QUICK DELIVERY AND COMPETITIVE PRICE  
The standardized specification allows reasonable quick delivery time.

### RECOMMENDED APPLICATIONS

- ❑ Cooling water line
- ❑ Monitoring of leakage of sealing liquids
- ❑ Lubrication oil line
- ❑ Cooling fluids lines in Injection moulding machines
- ❑ Liquid cultivating medium supply
- ❑ Others

### STANDARD SPECIFICATION

Applicable fluid	:Water or low viscosity liquids
Available scale range	0.3~3L/min (FA-31 □□) 0.5~5L/min (FA-32 □□) 1~10L/min (FA-33 □□) 2~20L/min (FA-34 □□) 3~30L/min (FA-35 □□)
Process connection	Rc3/8, 1/2,3/4 Select Rc1/2 or 3/4 for 20 and 30L/min version to avoid pressure loss.

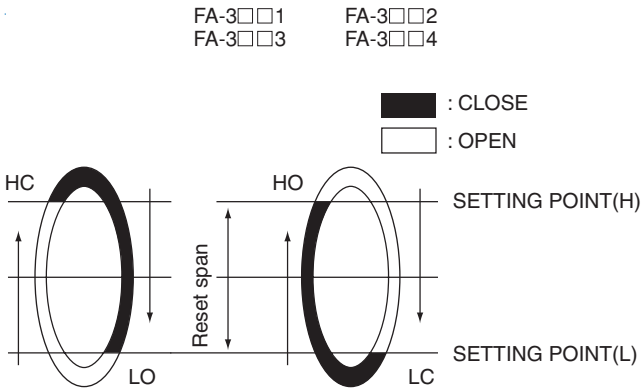


Flow direction	Any flow direction acceptable (Universal graduation provided)
Max. OP. Temp.	60°C
Max. OP. Press.	0.8MPa (8kgf/cm <sup>2</sup> G)
Indication accuracy	±5% of full scale
Flow rate indication	By position of float
Alarm setting accuracy	±5% of full scale
Alarm setting range	20~90% of full scale
Alarm reset span	Max. 15% of full scale
Alarm contact	SPST Reed switch (Self-holding type)
Contact capacity	AC10VA (Max. V 125V, Max. i 0.5A) DC10W (Max. V 100V, Max. i 0.5A)
Alarm action	High-Close FA-3□□1 High-Open FA-3□□2 Low-Close FA-3□□3 Low-Open FA-3□□4
Electric connection	Lead wire connection (Lead wire 30cm provided)
Weight (Approx.)	400g
Material	Refer to DIMENSION AND MATERIAL for details.

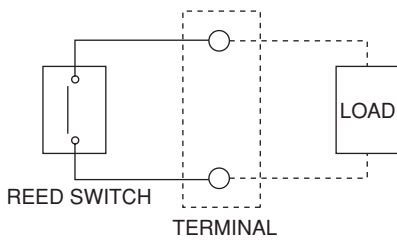
MODEL CODE

FA-3		DESCRIPTION
Scale range	1	0.3~3L/min
	2	0.5~5L/min
	3	1~10L/min
	4	2~20L/min
	5	3~30L/min
9	Other special scale range	
Process connection	1	Rc3/8
	2	Rc1/2
	3	Rc3/4
	9	Other special connection
Alarm function	1	High-ON
	2	High-OFF
	3	Low-ON
	4	Low-OFF
	0	No alarm provided

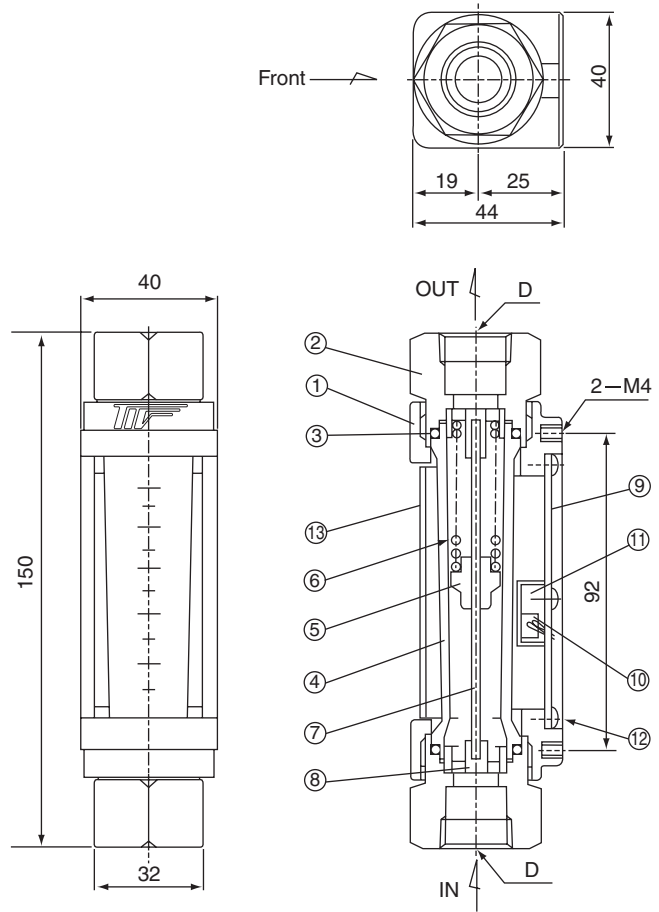
ALARM ACTION



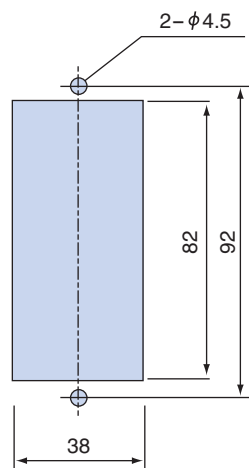
WIRING



DIMENSION AND MATERIAL



PANEL CUT



No.	PARTS NAME	MATERIAL
1	Body	Aluminium Die-casting
2	Fittings	SUS304
3	O ring	NBR
4	Tapered tube	Acryl
5	Float	PPS resin
6	Spring	SUS316
7	Float rod	SUS316
8	Float stopper	POM
9	Rear cover	ABS(White)
10	Reed switch	—
11	Switch holder	POM
12	Screw	Brass
13	Scale plate	Polycarbonate

\* Specification is subject to change without notice.

**TIV TOKYO KEISO CO., LTD.**

Head Office : Shiba Toho Building, 1-7-24 Shibakoen, Minato-ku, Tokyo 105-8558  
Tel : 03-3431-1625 (KEY) ; Fax : 03-3433-4922  
e-mail : overseas.sales@tokyokeiso.co.jp ; URL : http://www.tokyokeiso.co.jp

