

F-740 series FLOW SWITCHES

OUTLINE

F-740 is a flow switch with compact design which will be installed onto horizontal pipe line through flanges. The detection part consists of a tapered detection tube and a float which moves vertically according to flow rate of fluid to be measured. The magnet moulded at the top of float rod actuates detection magnet to drive micro switch at the set point.

F-740 is suitable for the monitoring of flow for safety operation of various plants.



STANDARD SPECIFICATION

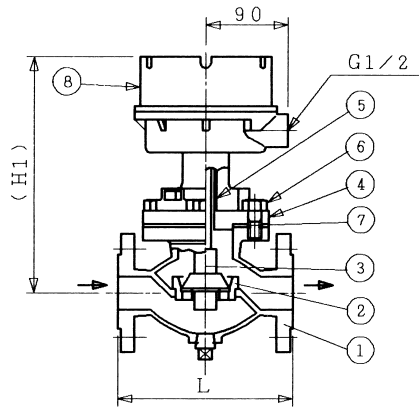
- Available size : 15mm (1/2") ~ 150mm (6")
- Fluid : All kinds of liquids without solid particles
(Viscosity : 5mPa · s or less)
- Op. Press : Max. 1.4MPa
- Fluid temp. : -10 ~ +80°C
- Process Conn. : JIS10KRF, JIS10KFF, ANSI150# or other flanges
- Installation : Horizontal
- Alarm point : One point Low or One point High
- Setting accuracy : ±5% of set value
- Reset span : Within 30% of set value
- Contact : Micro switch SPDT
- Capacity : AC125V / 250V, 5A (Resistance load)
- Enclosure : Waterproof (F-74□-□□□-□□),
Flameproof d2G4 (EP-F-74□-□□□-□□)
or Intrinsically safe (IS-F-74 □-□□□-□□,
With a separate safety relay)
- Insulation resistance : 100MΩ or more
- Di-electrical strength : AC1000V, for 1 min between non-connected terminals and AC1500V, for 1 min. against ground
- Amb. temp. : -25 ~ +80°C (Waterproof version)
-10 ~ +60°C (EP and IS version)
- Cable entry : G1/2 (=PF1/2) female thread
(1/2 NPT adapter available on request)
- Painting : Munsell 7.5BG4/1.5
- Accessories : Safety relay unit
(Option for IS-F-74□-□□□-□□)

MODEL CODE

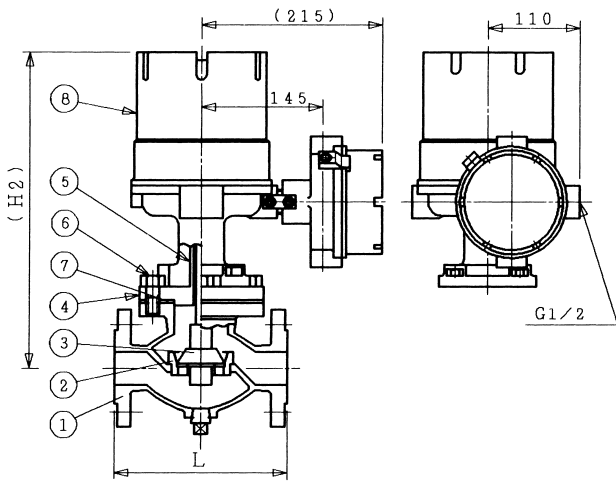
MODEL CODE							DESCRIPTION
-	F	-	74	-	-	-	
-	-	-	-	-	-	-	Waterproof
EP	-	-	-	-	-	-	Flameproof
IS	-	-	-	-	-	-	Intrinsically safe
FLOW DIRECTION	6	-	-	-	-	-	Left →Right
	7	-	-	-	-	-	Reght →Left
CONNECTION SIZE	-	015	-	-	-	-	15mm
	-	020	-	-	-	-	20mm
	-	025	-	-	-	-	25mm
	-	040	-	-	-	-	40mm
	-	050	-	-	-	-	50mm
	-	065	-	-	-	-	65mm
	-	080	-	-	-	-	80mm
	-	100	-	-	-	-	100mm
	-	125	-	-	-	-	125mm
-	150	-	-	-	-	150mm	
CONNECTION FLANGE RATING	-	R	-	-	-	-	JIS10KRF
	-	F	-	-	-	-	JIS10KFF
	-	A	-	-	-	-	ANSI150# (Equiv.)
	-	Z	-	-	-	-	Others
MATERIAL	-	-	-	-	-	1	Class 1
	-	-	-	-	-	2	Class 2
	-	-	-	-	-	3	Class 3

DIMENSIONS

F-740 (Waterproof) and IS-F-740 (Intrinsically safe)



EP-F-740 (Pressure tight flameproof)



Size	L (mm)	(H1) (mm)	(H2) (mm)	Possible alarm setting range (m³/h) *	
				For Low alarm	For High alarm
15mm	160	230	370	0.1 ~ 2.0	0.13 ~ 2.0
20mm	160	230	370	0.1 ~ 2.0	0.13 ~ 2.0
25mm	160	230	370	0.1 ~ 2.0	0.13 ~ 2.0
40mm	190	250	380	0.2 ~ 4.3	0.26 ~ 4.3
50mm	200	280	410	0.5 ~ 10	0.65 ~ 10
65mm	220	290	420	0.8 ~ 13	1.0 ~ 13
80mm	250	310	440	1.0 ~ 25	1.3 ~ 25
100mm	290	310	440	1.8 ~ 40	2.3 ~ 40
125mm	360	340	480	3.5 ~ 50	4.5 ~ 50
150mm	410	360	500	5.0 ~ 70	6.5 ~ 70

* : Pre-set at factory. (Fixed)

MATERIAL

No.	NAME	CLASS 1	CLASS 2 *	CLASS 3 *
1	BODY	FC200	SCS13 *	SCS14
2	DETECTING TUBE	SUS304	SUS304	SUS316
3	FLOAT ASS'Y	SUS304	SUS304	SUS316
4	UPPER FLANGE	SS400	SUS304	SUS316
5	LEAD PIPE	SUS304	SUS304	SUS316
6	BOLT	SS400	SS400	SS400
7	GASKET	Non-asbestos or PTFE	Non-asbestos or PTFE	Non-asbestos or PTFE
8	HOUSING	Aluminum	Aluminum	Aluminum

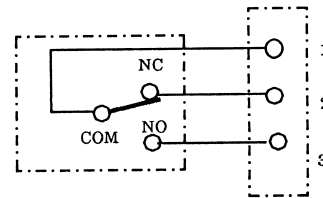
* : Available upto 100mm (4") only

* : SCS14 for 15 to 50mm

WIRING

M3 screw terminal

Figure shows the condition when switch is not actuated.



ORDERING FORM

Specify the following for order / inquiry ;

MODEL	<input type="checkbox"/> -F-74 <input type="checkbox"/> - <input type="checkbox"/> <input type="checkbox"/> <input type="checkbox"/> - <input type="checkbox"/> <input type="checkbox"/>
QUANTITY	
LIQUID NAME	
DENSITY	
VISCOSITY	mPa*s
PRESSURE	MPa
TEMPERATURE	°C
GASKET MATERIAL	<input type="checkbox"/> Non-asbestos <input type="checkbox"/> PTFE
ALARM POINT	<input type="checkbox"/> LOW <input type="checkbox"/> HIGH m³/h
CABLE ENTRY	<input type="checkbox"/> G 1/2 <input type="checkbox"/> 1/2 NPT
SPECIAL INSTRUCTION, IF ANY	

* Specification is subject to change without notice.

TIV TOKYO KEISO CO., LTD.

Head Office : Shiba Toho Building, 1-7-24 Shibakoen, Minato-ku, Tokyo 105-8558

Tel : 03-3431-1625 (KEY) ; Fax : 03-3433-4922

e-mail : overseas.sales@tokyokeiso.co.jp ; URL : http://www.tokyokeiso.co.jp

